

CAMP-LET



PLEASE FILL OUT THE FORM

Points marked with * must be filled out by the dealer.

DATE*

COUNTRY*

MODEL*

YEAR*

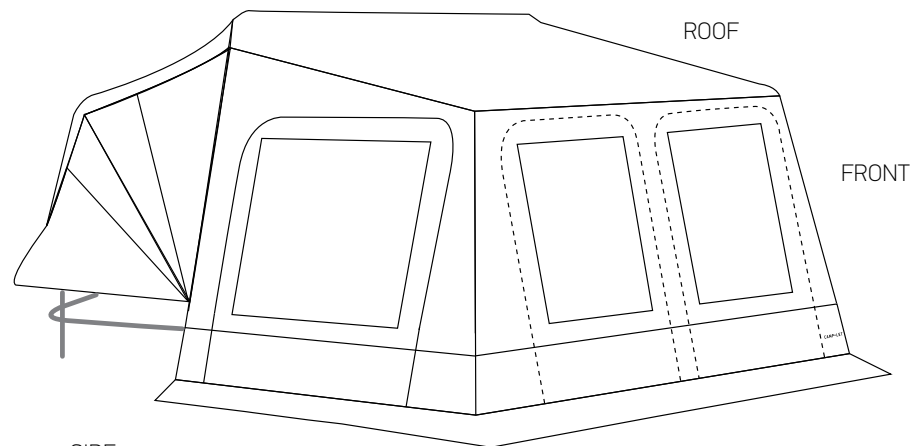
CNR / BATCH NO.*

COST

DESCRIPTION*

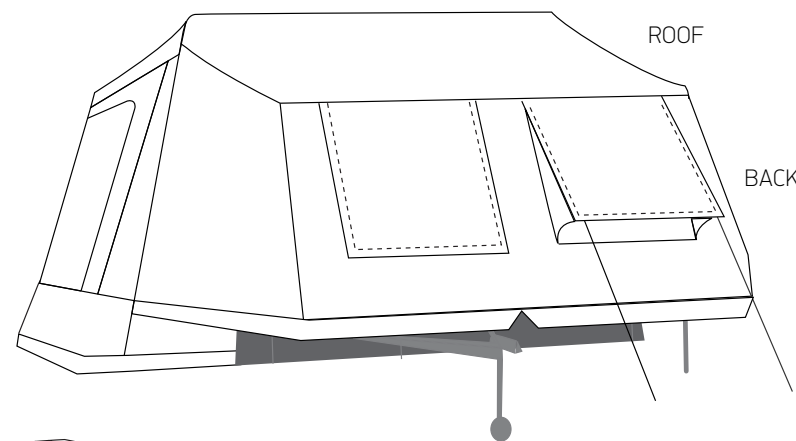
If possible please attach a picture

PLEASE MARK THE PROBLEM

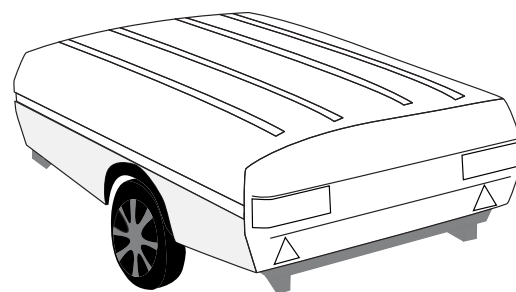


SIDE

Left Right



BACK



GLASSFIBER

Top Front Back Left Right