

Isabella importers

DEUTSCHLAND / ÖSTERREICH / SCHWEIZ

Isabella Vorzelte Deutschland GmbH
Max-Planck-Str. 4
DE-34253 Lohfelden
Tel. +49 (0561) 51 20 33
info-de@isabella.net

NEDERLAND

Isabella Nederland BV
Postbus 90
NL-3870 CB Hoevelaken
Tel. +31 (033) 2541100
info@isabella.nl

UNITED KINGDOM

Isabella International Camping Limited
Drakes Farm
Drakes Drive
Long Crendon
Buckinghamshire
HP18 9BA
Tel. +44 (01844) 20 20 99
info@isabella.co.uk

BELGIUM / FRANCE / LUXEMBOURG

Camping Distribution
Rue de Baronhaie, 63
BE-4682 Heure-le-Romain
Tel. +32 (0)42 27 46 32
info@camping-distribution.com

ITALIA

Automarket Bonometti spa
via Lago D'Iseo, 2
IT-36077 Altavilla Vicentina
Tel. +39 3401 265285

NORGE

Kama Fritid Norge AS
Iseveien 6
1738 Borgenhaugen
Tel. +47 52 900 729
Info@kamafritid.se

RZECZPOSPOLITA POLSKA

Pro Camp
ul. Krotoszynska 43
PL-51-009 Wroclaw
Tel. +48 (71) 352 47 75
info@procamp.pl

SLOVENIJA

Freedom Center
Mariborska C. 200 a
SI-3000 Celje
Tel. +386 31 688 877

SVERIGE

Kama Fritid AB
Box 23
SE-551 12 Jönköping
info@kamafritid.se

SUOMI

Kama Fritid OY
Koivuhaantie 2-4 B
FI-01510 Vantaa
info@kamafritid.fi

OTHER COUNTRIES

Please contact Isabella A/S
in Denmark.

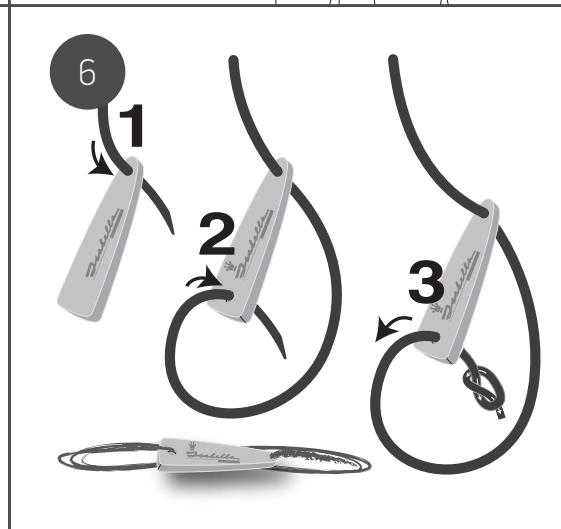
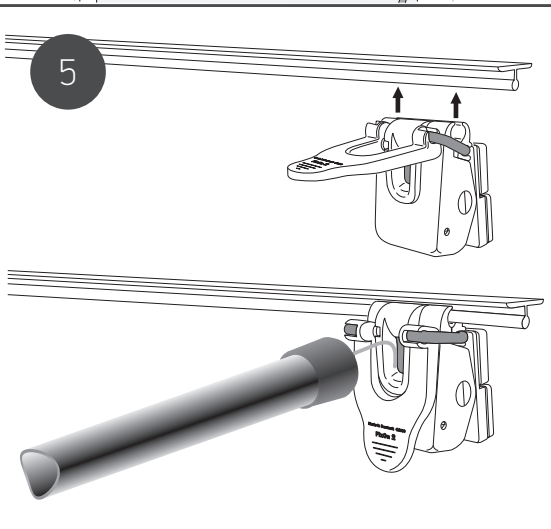
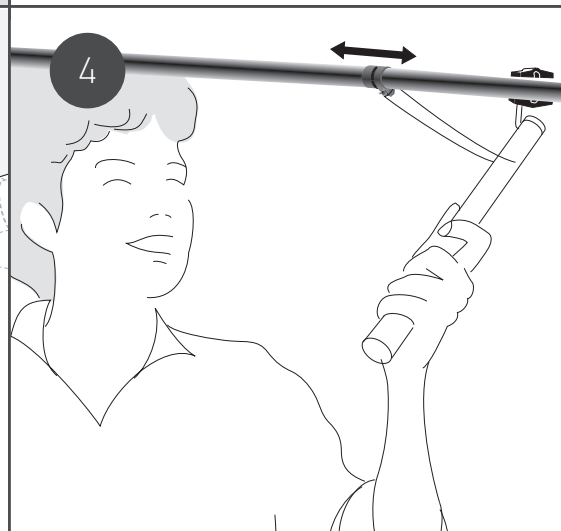
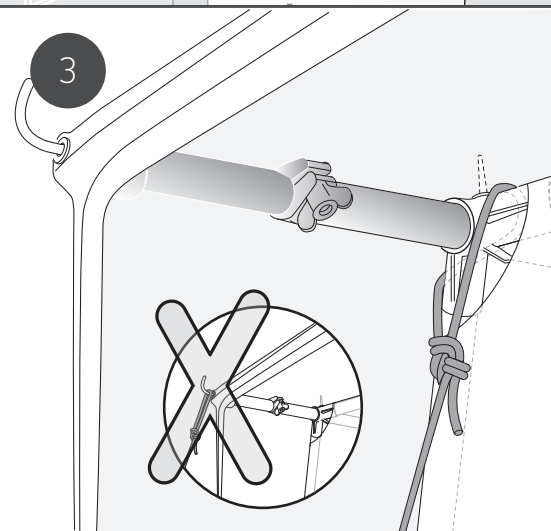
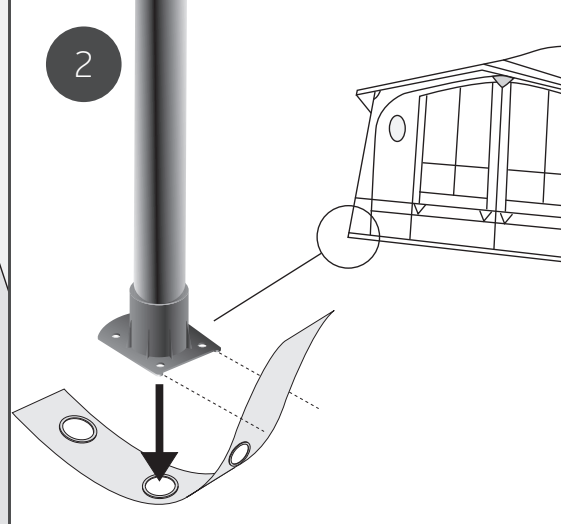
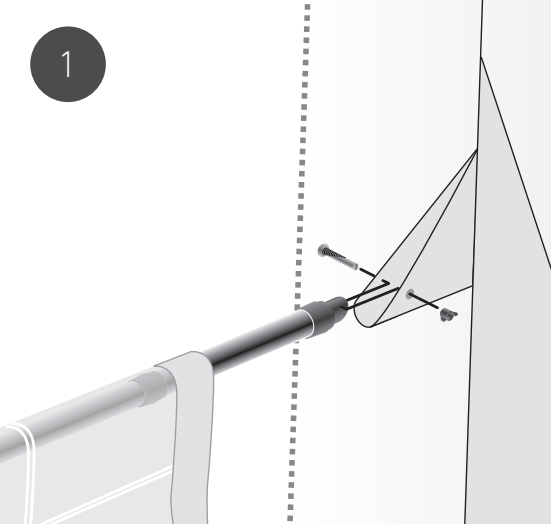


Copyright © 2020 Isabella A/S. All rights reserved.

Isabella A/S
Isbellahøj 3 · DK 7100 Vejle
Tel. +45 75 82 07 55 · info@isabella.net

www.isabella.net





English	Helpful hints.....pages	1 - 6
	Problem solving.....pages	7 - 8

Deutsch	Gute Ratschläge.....Seite	9 - 14
	Problemlösung.....Seite	15 - 16

Nederlands	Goede raad.....pagina	17 - 22
	Probleemoplossing.....pagina	23 - 24

Dansk	Gode rådside	25 - 30
	Problemløsning.....side	31 - 32

Svensk	Goda rådsida	33 - 38
	Problemlösningar.....sida	39 - 40

Norsk	Gode rådside	41 - 46
	Problemløsning.....side	47 - 48

Français	Conseils utiles.....page	49 - 54
	Solution aux problèmes.....page	55 - 56

We congratulate you on your choice of awning. We are pleased that you have chosen an Isabella product and would like to advise you how to obtain maximum service from it. We have compiled this Isabella file for your reference which includes assembly instructions. In this leaflet you will find advice on how to care for your canvas and frame. Please read this carefully **before** using your awning for the first time. We recommend that you register your purchase on our database immediately. Fill out the details on our homepage www.isabella.net.

The "A" size and "C-NR" number can be found on the ticket on the outside of the canvas bag. In the unlikely event of a problem with your purchase please follow the instructions on the service certificate.

IMPORTANT! • Examine the awning and draught skirt channel of your caravan for any rough edges.

CARE OF YOUR AWNING

Careful treatment and regular attention to any dirt/deposits on the canvas will prolong the life of your awning.

Avoid siting your caravan too near to the sea or under trees as this can cause problems. The sea breeze with its saline content will settle salt onto the canvas. The salt binds with the atmospheric humidity and affects the waterproofing over an extended period. Contamination from polluted air, pollen, insect or bird excreta can also affect the waterproofing if not removed. It is very important to clean the awning regularly, as detailed below.

Take care when using aerosols such as hair spray, suntan lotion, deodorant and fly/mosquito spray. The aerosol propellant will neutralize the waterproofing quality of the canvas.

The window material needs to be soft enough for folding, and for maximum vision it must also be as transparent as possible. Isabella uses the best available window material from leading manufacturers. Due to environmental restrictions, the window foil is now made with a Barium/Zinc softener, this has caused changes to the structure of the material and makes blemishes and fold marks more distinct. Where double folding occurs, the marks may appear to be small lacerations but these are not detrimental to the awning. Please re-use the foam packing material supplied with the awning – it will assist you in folding and caring for the windows.

You are advised to treat the windows carefully and can rest assured that Isabella always use the finest material available. That is, a foil that withstands ultraviolet rays and temperatures from -25°C to +60°C.

To restore the appearance of the window foil after the awning has been stored for any length of time, you can remove the panels from the box/bag a couple of days before use and hang them in a warm place - i.e. above a radiator (but not touching it). In use you will see that warmth and tensioning restore the window properties.

Isabella's curtain system consists of two parts that are fitted on the awning and in the curtain respectively. When you take down the awning the "suitcase" remains on the awning curtain track and the "wheel" in the curtain.

DropStop rain grommets are fitted to all rivets in the roof. Spares, for this and all other component parts are also available from Isabella retailers. A full list can be found on our website.

CORRECT TENSIONING

An awning that is correctly tensioned will last far longer than an awning which has been assembled without due care and attention.

Tensioning is important to improve appearance, prevent water gathering, reduce wear and tear, and because any folds in the canvas and the windows will collect dirt, which contributes to the decomposition of the material.

Tensioning your awning correctly need not take any longer once you have had a bit of practice. It is important to tighten the frame of your awning in the right order as detailed, and you may find that using the Hercules Twin tensioning tool makes the job easier. (See ill. 4).

It is also important to remember that over a season, depending on the weather conditions, a correctly tensioned awning may not remain so forever. It should to be checked at regular intervals to ensure it remains correctly tensioned.

We recommend that the canvas itself should be around 10-12 centimetres off the ground for efficient pegging and maximum tensioning.

It is a good idea to carefully read the instructions provided with your awning. Ensure that the wing nuts on the connectors do not rub against the material, as this will damage the awning. You may also like to take a look at Isabella's video demo, available at www.isabella.net.

CLEANING CANVAS AND WINDOWS

Detergent or cleaning agents need not be used in normal circumstances.

• **Never** use spirit or polishes on the PVC windows.

Only use cleaning products from Isabella - IsaClean.

with plenty of pure water and a soft brush, the type used to clean your car is ideal. Spray water onto the canvas and loosen the dirt with the brush. Remove the dirt with a steady flow of water. This cleaning process should take place a couple of times a year and is easiest when the awning is erected. Sweep the inside of the awning once a week to remove dust, which if it becomes attached to damp patches may lead to mould.

For specific cleaning and when water alone is not sufficient, and on exposed parts such as roof, sides and corners that need careful attention, the only detergent that we recommend, is IsaClean. This has been tested with our materials and is known to achieve good results. IsaClean is used for cleaning whole roofs and panels, but should not be used for spot cleaning. IsaClean is available from your Isabella retailer.

The curtains in Isabella awnings should be washed at 30°C. The Curtain Clips-"wheel" should be removed before washing. When the curtain is washed and subsequently ironed, the protective layer on the surface is restored.

WATERPROOFING

If the waterproofing quality of the canvas has been affected, it can be restored by using "AquaTex" spray. The awning must be thoroughly dry and clean before application.

If the material is very dry, you may notice some discolouration on the outside.

To regularise the colour, simply spray on the outside. **Don't forget** it is most important to clean the awning inside and out **before** spraying as any deposits on the material will negate the properties of the "AquaTex". For example, nicotine from cigarettes will affect the material and the waterproofing. "AquaTex" will not work on dirty material; where dirt/stains remain to prevent the dirt being sealed to the material the canvas should be sprayed on the inside of the awning. If there are any leaks in the material, "AquaTex" will penetrate and be effective on the outside as well.

It is a good idea to have a can of "AquaTex" handy as it has a wide variety of uses besides reproofing your awning. For instance, if it is difficult threading your awning beading through the caravan channel, spray the channel and the silicone will enable the awning to feed through easily.

"AquaTex" can also be used to lubricate zips, and even waterproof your shoes or boots.

If your awning is sited all season, we recommend that you reproof your awning every other year. For this you need a 5 litre AquaTex liquid and a garden sprayer to disperse it evenly on the awning. Even though the window foils are not damaged by the liquid, for the best appearance and performance it would be best to wipe Aquatex off windows, before the liquid dries up.

VENTILATION

Awning ventilation is more important than is generally realised - particularly in synthetic awnings.

Under extreme conditions, condensation within the awning cannot be completely avoided. Condensation nearly always occurs on the roof poles and therefore it is often confused with leaks. Leave the ventilation panel open as much as possible, especially when the awning is erected for some time as this will minimize condensation. Wherever possible it is recommended that the draught skirt is drawn aside slightly so that extra air circulation can take place.

To prevent ground moisture rising inside the awning, a plastic underlay can be placed underneath your "Bolon" carpet, but this will cause the grass to die and may contravene some caravan sites rules.

MINOR LEAKAGE AT SEAMS

The thread used in our awning tents is impregnated. The thread therefore expands after being exposed to rain two or three times, and the holes from the stitches close. Until then you may experience minor leakage at seams.

VERANDA OPENING

Most Isabella standard awnings have front and side panels which can be used closed, with door openings, removed or used veranda style. It is possible to use the side panels veranda-style by fixing the veranda pole to the small piece of cloth that has been sewn into the side canvas near to the caravan. It is important to use the drawn curtains so that the window foil will not come into contact with the veranda pole. Also, please ensure the wing nuts on the veranda pole do not rub against the material, as this will damage the awning.

A cotton cover for the veranda pole can also be used (additional veranda poles and the cotton covers are available as an optional extra). (See ill. 1).

ZIPS

If you encounter problems with the running of the zips, ensure that the awning is assembled and tensioned correctly. Never use force on your zip fastener. Should the fastener seem rather tight, remove the pegs at the zip bottom and peg in a better position. **Do not lubricate with oil.** Where necessary it is recommended that you lubricate the zips with "AquaTex" spray. Zip sliders can easily be changed if they become worn out, instructions are on www.isabella.net

STEEL FRAMEWORK

The standard framework in an Isabella awning is made of hot-galvanised steel tubing with corners and centre cross made of light-weight plastic material.

The tubes are joined with a spring and extreme care should be taken with the poles during assembly and dismantling of the awning frame. Careless use can result in the springs being either pulled out or over-stretched. Every effort is put into ensuring a maximum lifespan for your steel frame. However, it should be maintained and cared for in the same way as the awning canvas. That is, dirt and earth should always be removed and the poles should be dry and clean before storing.

It is also recommended to treat the poles with a wax (such as used on cars).

FIBRE GLASS FRAMEWORK

Most Isabella awnings can now be supplied with a CarbonX fibre glass frame which does not require any special treatment beyond simple cleaning and removal of dirt and earth.

DRAUGHT SKIRT / POCKET PIECE / WHEEL ARCH COVER

All the Isabella awnings are supplied with a draught skirt and a wheel arch cover.

A full pocket piece can be supplied as an optional extra.

The draught skirt and mudflap (sewn into the awnings) are made with peg poles for the thread pegs. In some instances, particularly in the corners, it may not be possible to align the holes, then it will be necessary to peg through the mudflap, or you can peg outside the mudflap as the specially shaped hooks can easily keep the mudflap down without damaging it.

REGULATOR TABS

All Isabella awnings and porches are supplied fitted with a regulator tab for the leg poles. On the leg pole there is a foot with a spike to go through the regulator tab. These facilitate a uniform tensioning of the awning and reduce the risk of wear and tear from the poles by minimizing movement against the poles. (See ill. 2).

STORM SECURING

With such strength in frame and canvas, a correctly tensioned Isabella awning is very seldom damaged in stormy weather.

All Isabella awnings are supplied with guy ropes to be placed on the corner poles and centre cross.

It is important that the guy ropes are placed on the corner poles and centre cross and under no circumstances on roof spikes, canopy hooks or tubes. Neither spikes nor hooks are made for this and they will quickly be destroyed.

Most Isabella models are supplied with extra storm fittings under the windows for which IsaLink storm securing sets can be bought. These storm fittings should always be used with IsaLink, elastics and guy ropes so that the storm fittings do not tear. The storm fittings are not designed to be used for tensioning the awning, as the awning will lose shape. The guy ropes hang down loose so that they will only be tensioned when the wind is blowing. (See ill. 3)

Typhoon storm tabs are fitted to many Isabella awnings and the Typhoon storm sash (supplied as standard in some cases) can be attached using the recommended storm knot. (See ill. 6)

Extra poles can be used in order to secure the awning further. Rafter poles can easily be fixed using additional FixOn II's. IsaLink, Extra leg poles, Rafter poles and FixOn II's are available as optional extras from your Isabella retailer where you can also find other kinds of Isabella storm securing options.

All awnings are supplied with the number of poles and pegs that are necessary for ordinary caravanning.

Specialist pegs may be needed on hard or sandy ground.

SECURING OF WINTER AWNINGS

Winter caravanning is becoming more and more popular, and Isabella has a wide range of winter and all-in-one awnings in the programme. An extra strong frame construction is common to these models.

A Winter securing frame set is available as an optional extra and is recommended for use when All-in-One awnings, especially the large sizes are assembled all year round.

STORAGE OF YOUR AWNING

In order to avoid any deterioration in the cloth, avoid packing your awning away in a wet or damp condition. If it is wet it should be hung up no later than 2-3 days after it has been dismantled so that when packed it is completely dry. The awning must be absolutely dry and clean before packing away in order to avoid damp patches that attract mildew which will destroy the qualities of the material.

It is also important that the frame is absolutely dry before it is stored.

The awning must be kept in a dry, ventilated and warm place with no extremes of temperature.

If you require any repairs please note that, although Isabella undertake repairs all year round, you will avoid long delays if you have work done in the winter months.

It is a good idea to remove all the IsaFlex pegging elastics for storage.

We at Isabella hope that this information and advice will be useful to you and that by following these simple instructions your awning will last for years to come, we wish you many happy holidays with your Isabella awning.

SUBJECT TO ALTERATIONS.



PROBLEM	POSSIBLE CAUSE	WHAT CAN BE DONE? OR WHAT COULD HAVE BEEN DONE?
Leaks	Bad maintenance. Sea breezes may settle salt on the canvas. Contamination from polluted air, pollen etc. Aerosol propellant such as fly/mosquito spray, deodorant...	The awning is sprayed with plenty of pure water and the dirt is brushed off with a soft brush. Detergents or cleaning agents must not be used – except the cleaner Alpha 123! When completely dry, the canvas is sprayed with AquaTex impregnator.
Condensation	Too little ventilation	Open all ventilation. Draw draught skirt aside.
	Moisture from the ground	A plastic underlay can be placed underneath the awning carpet.
The zip will not close	The awning is assembled incorrectly	Move the corner pegs.
	The zip slider is worn or the stop end is damaged	Contact your Isabella Retailer; these parts are available as replacements for home fitting.
Steel frame corrosion	Bad maintenance	The frame is cleaned, earth & dirt removed and the surface treated with car wax.
	Packed away in a damp condition	The frame must be completely dry before it is packed away.
The awning has mildew stains from damp patches	Was wet when packed away and not hung up to dry within 2/3 days	The canvas must be completely dry before it is packed away. The storage place should be dry, well ventilated, and have an even temperature i.e. not too hot and not too cold. The canvas must be thoroughly cleaned and re-proofed.
Gathers in the front edge between roof and canopy	Bad tensioning	All panels need to be unzipped to achieve full tension on the frame. It is important to tighten the frame in the correct order. You may find the Hercules Twin makes the job easier. Check that the seams are taut.

PROBLEM	POSSIBLE CAUSE	WHAT CAN BE DONE? OR WHAT COULD HAVE BEEN DONE?
The sides are very slack	The awning is badly tensioned, or the awning is too big, or the caravan is positioned lower than the awning.	Tensioning of all poles. Pegging, so that the lower panel is tensioned. Check that the distance from the lower panel of the awning to the ground is at least 12 cm, so that the pull of the pegging elastic is used to full effect. Check the A-measurement of the caravan and the awning, with your retailer.
The sides do not reach the ground	The caravan is raised too much, or	Level the caravan without lifting it unnecessarily.
	the awning is too small for the caravan	Check the A-measurement of the caravan and the awning, with your retailer.
White spots on the PVC-material	Weather / air-born contamination	Check the PVC (with a magnifying glass). It is probably eggs from insects, which are easily removed by means of AquaTex impregnator spray, a small nail brush and a soft cloth.
Light spots in the roof	Wear and tear, or	Can be small wear marks or damage to the outside coating. Normally this does not affect the performance or durability of the roof. May be repaired with Acrylic repair paste (applied externally).
	mould / damp-stains	For mould and damp-stains we recommend internal cleaning with water and re-impregnation with AquaTex or, in very bad cases, clean with Alpha 123! If these measures fail it may be necessary to change the roof.
Marks on windows/Cloudy windows	Untidy folding up, or bad tensioning	Good tensioning and heat will help to diminish the marks. With present technology some marks cannot be avoided.

FURTHER ASSISTANCE:

These helpful hints will assist you in obtaining maximum service from your awning. For further guidance, please contact an authorised Isabella Retailer.

gerne möchten wir diese Gelegenheit nutzen, Ihnen zu Ihrem neuen Isabella Vorzelt zu gratulieren. Wir sind stolz, dass Sie ein Erzeugnis aus dem Hause Isabella gewählt haben. Damit Sie so viel Freude wie möglich an Ihrem neuen Vorzelt haben und viele schöne und problemlose Jahre in ihm verbringen können, ist diese Informationsmappe für Sie zusammengestellt worden. Hier finden Sie, neben vielen wichtigen Informationen, eine Aufbauanleitung

Erweitern Sie Ihre Garantie, indem Sie auf Isabella.net gehen und Ihr Vorzelt registrieren. In diesem kleinen Heft finden Sie alles über Instandhaltung und korrekte Verwendung Ihres Vorzeltes.

Wir empfehlen Ihnen dieses Heft gründlich durchzulesen, bevor Sie das erste Mal aufbauen, da es viele wertvolle und nützliche Tipps enthält.

Für den Beginn der Reklamationsfrist ist jedoch die Rechnung Ihres Händlers ausschlaggebend.

WICHTIG! · Vor dem erstmaligen Aufbau bitte die Wohnwagenschiene auf scharfe Kanten und Unebenheiten untersuchen · Das Zelt nur mit fließendem klarem Wasser reinigen · Niemals Seife oder andere Reinigungsmittel verwenden.

SO KÖNNEN SIE DIE LEBENSDAUER IHRES VORZELTS VERLÄNGERN

Sie benötigen nur einige Minuten zum Lesen der Gebrauchsanweisung sowie jährlich ein wenig Zeit für die Instandhaltung.

Es lohnt sich das Zelttuch und das Gestänge zu pflegen. Verschiedene Untersuchungen und Tests in den vergangenen Jahren haben ergeben, dass die korrekte Instandhaltung eines Vorzeltes die Lebensdauer erheblich verlängert. Bei Campern die sich die gesamte Saison in Meeresnähe oder in Waldgebieten befinden kommt es manchmal vor, dass das Vorzelt undicht wird. In vielen Fällen ist dieses auf falsche oder zu geringe Pflege zurückzuführen. Die salzhaltige Luft am Meer beeinträchtigt die Haltbarkeit der Imprägnierung. Salz bindet die Luftfeuchtigkeit und dieser Prozess zersetzt langsam die Imprägnierung. Es ist deshalb ratsam, sein Vorzelt regelmäßig zu reinigen. Auch das Treibgas aus Sprühdosen setzt der Imprägnierung zu.

Die Fensterfolie ist ein hochtechnisches Produkt. Sie muss gleichzeitig unterschiedliche Anforderungen erfüllen: Höchste Geschmeidigkeit beim Zusammenlegen und bestmögliche Transparenz (Durchsichtigkeit). Isabella verwendet Fensterfolien der besten Qualität von führenden Herstellern. Aus Umweltschutzgründen ist es heute verboten, den schwermetallhaltigen Weichmacher Barium/Cadmium zu verwenden. Deshalb dient Barium/Zink als Ersatzmittel. Dies bedeutet leider eine Änderung der Struktur in der Folie, so dass leichtes "Geflimmer" (Unklarheit) vorkommen kann. Außerdem treten Falten, die durch das Zusammenlegen entstanden sind, deutlicher hervor. An Knickstellen kann unter Umständen der Eindruck einer kleinen "Wunde" in der Folie entstehen. Dies ist nach dem heutigen Stand der Technik nicht immer zu verhindern. Isabella garantiert aber, stets die bestmögliche Folie zu verwenden, die unseren Ansprüchen entspricht.

Das sind insbesondere Beständigkeit gegen UV-Strahlung und Temperaturen von -25°C bis +60°C. Tipp: Zur Vorbeugung gegen Falten können die Fensterteile an einer warmen Stelle (z.B. über einen Heizkörper - ohne diesen zu berühren!) aufgehängt werden, bevor das Zelt nach einer längeren Zeit in zusammengefaltetem Zustand erneut aufgebaut wird. Unsere Fensterfolien sind bei der Lieferung durch Schaummaterial geschützt. Wir empfehlen Ihnen, bei einer längeren Einlagerung, dieses Material jeweils wieder auf die Fensterfolien zu legen. Hierdurch werden Ihre Fenster geschützt.

Das Isabella Gardinen-System besteht aus zwei Teilen, die jeweils am Vorzelt und in der Gardine montiert werden. Beim ersten Aufbau wird der "Koffer" am Vorzelt montiert und das "Röllchen" in der Gardine.

DropStop Dichtungsringe sind bei allen Ösen im Dach vormontiert und verhindern das Eindringen von Regenwasser. Diese können Sie beim Isabella-Fachhändler als Zubehör erhalten.

KORREKTE ABSPANNUNG

Ein korrekt gespanntes Vorzelt hält erheblich länger als eines mit weniger Spannung.

Der richtige Aufbau und vor allen Dingen die richtige Ausspannung tragen dazu bei, dass kein schneller Verschleiß des Materials auftritt und sich in Falten und Vertiefungen kein Schmutz ansammelt.

Nachdem man sein Vorzelt einige Male aufgebaut hat, nimmt der korrekte Aufbau und das richtige Spannen, kaum mehr Zeit in Anspruch. Man sollte sich beim systematischen Spannen aber unbedingt an die richtige Reihenfolge halten. Diese ist in der Aufbauanleitung konkret beschrieben! Die Anschaffung einer „Hercules Twin“ Zeltspannhilfe leistet hierbei gute Hilfe. Man sollte jedoch daran denken, in regelmäßigen Abständen die Abspannungen zu prüfen und ggf. nachzuspannen, damit das Zelt auch auf Dauer optimal steht.

Achten Sie beim Spannen Ihres Gestänges darauf, dass die Flügelschrauben nicht am Zelttuch reiben.

Es lohnt sich, die Aufbauanleitung bei der Erstaufstellung komplett durchzulesen. Zusätzlich kann man sich bei Isabella ein Aufbauvideo unter www.isabella.net/de herunterladen.

REINIGUNG VON ZELTTUCH UND FENSTER

Bitte keine Reinigungsmittel benutzen –

Verwenden Sie nur Reinigungsmittel von Isabella - IsaClean.

Benutzen Sie keine Seife, dafür aber viel Wasser und eine weiche Bürste (Autobürste). Nachdem das Zelt abgespritzt wurde, verwenden Sie die Bürste und spülen dann den Schmutz mit klarem Wasser ab. Zuletzt bitte das ganze Vorzelt gründlich nachspülen. Diese Behandlung sollte in regelmäßigen Abständen wiederholt werden.

Der beschriebene Reinigungsvorgang gilt sowohl für das Zelttuch als auch für die Fenster. Verwenden Sie für die Folien nie Spiritus oder Fensterreinigungsmittel. Außerdem empfehlen wir Ihnen, das Zelt regelmäßig auf der Innenseite abzubürsten, um Staub zu entfernen. Besonders das Dach, die Seitenteile und die Ecken sollten so gereinigt werden.

Als Reinigungsmittel empfehlen wir IsaClean, dieses Mittel ist von uns getestet und erzielt gute Ergebnisse. IsaClean ist für die Reinigung vom Dach sowie den Seitenteilen geeignet und erhältlich bei Ihrem Fachhändler.

Die Gardinen in den Isabella-Vorzelten können bei 30°C gewaschen werden. Die Kunststoffaufhängungen (Röllchen) der Gardinen sollten vor dem Waschen entfernt werden.

IMPRÄGNIERUNG

Sollte trotzdem Ihr Vorzelt an einigen Stellen undicht geworden sein, so kann dieser Schaden durch AquaTex-Imprägnierungsspray schnell behoben werden. Dieses Spray enthält Kohlensäure als Treibmittel und kann deshalb keinen Schaden anrichten. Es sollte allerdings darauf geachtet werden, dass vor dem Einsprühen das Zelt gründlich gereinigt wird und ganz trocken ist. Imprägnierung auf alten Ablagerungen verfehlt Ihre Wirkung.

Die Imprägnierung sollte an der Innenseite des Zeltes vorgenommen werden, weil an der Innenseite des Stoffs nicht soviel Schmutz sitzt, an dem die Imprägnierung dann nur schwer haftet. Wenn es im Stoff Undichtigkeiten gibt, durchdringt die AquaTex -Imprägnierung ihn und wird auch an der Außenseite wirksam. Bei stark ausgetrockneten Materialien besteht nach Imprägnierung von innen die Gefahr einer Fleckenbildung an der Außenseite. Deshalb kann es in diesen Fällen nötig sein, auch die Außenseite zu imprägnieren. **Wichtig:** Die Reinigung des Zeltes vor der Imprägnierung ist wichtig, auch auf der Innenseite! Dies gilt besonders dann, wenn im Vorzelt viel geraucht wird. Nikotin setzt sich an der Innenseite des Stoffes ab und zerstört die Imprägnierung. Es ist nicht möglich, ohne Entfernung dieser Ablagerungen wirksam zu imprägnieren.

Wir empfehlen Ihnen AquaTex Imprägnierungsspray für jeden Campingaufenthalt. Es hilft Ihnen nicht nur bei genannten Problemen, sondern ist als echter „Allrounder“ flexibel einsetzbar.

Beispiele: Wenn es schwierig ist, das Zelt in die Wohnwagenschiene einzuziehen. Sprühen Sie die Imprägnierung auf die gesamte Schiene und das Zelt gleitet viel leichter in den Keder. Außerdem ist die AquaTex Imprägnierung geeignet zum Schmieren der Reißverschlüsse und zur Entfernung von Ölflecken. Darüber hinaus kann das Imprägnierungsspray auch für Schuhe verwendet werden. Sie sehen, AquaTex ist eine lohnende Investition.

Sollte das Zelt die ganze Saison aufgebaut sein, empfehlen wir das Vorzelt jedes zweite Jahr zu imprägnieren. Hierzu benötigen Sie einen 5-Liter Kanister AquaTex Imprägnierung und eine Gartenspritze, um es gleichmäßig auf dem Zelt zu verteilen. Obwohl die Fensterfolie von der Flüssigkeit keinen Schaden nimmt, ist es besser diese abzuwischen bevor die Flüssigkeit austrocknet.

ENTLÜFTUNG / VENTILATION

Die Bedeutung der Ventilation im Vorzelt wird häufig unterschätzt. Bei extremen Wetterverhältnissen mit hoher Luftfeuchtigkeit und schwankenden Temperaturen entsteht, besonders bei synthetischen Geweben, Kondenswasser. Dieses bildet sich meistens am Dach und sammelt sich an den Dachstangen. Darum wird Kondenswasser oft mit Undichtigkeiten verwechselt. Dieses Problem kann vermieden werden, wenn die Entlüftungen stets offen sind, besonders, wenn Sie das Zelt für längere Zeit verlassen. Die Luftzirkulation kann durch die Öffnung der Windblende noch erhöht werden. Kondenswasserprobleme können unter extremen Verhältnissen nicht immer ganz vermieden werden. Sie können aber minimiert werden, wenn Sie den Ventilationsratschlägen folgen und unter den Vorzeltteppich eine Plastikunterlage legen, damit die Erdfeuchtigkeit nicht aufsteigen kann.

KLEINE UNDICHTIGKEITEN AN DEN NÄHTEN

Der Nähfaden, den wir für unsere Vorzelte verwenden, ist ein Quelfaden und imprägniert. Nachdem das Zelt 2-3 Mal bei Regenwetter verwendet worden ist, dehnt sich der Faden aus und somit schließen sich die Nahtlöcher. Bis dahin können an den Nähten kleine Undichtigkeiten auftreten.

VERANDAÖFFNUNG

Die meisten Isabella Standardvorzelte haben abnehmbare und herabrollbare Seiten- und Frontteile. Wenn dies der Fall ist, kann mit Hilfe einer Verandastange, sowohl die Front- als auch die Seitenteile herabgerollt werden - die so genannte Verandalösung. In den Seiten wird die Verandalösung mit dem kleinen dreieckigen Stoffstück hergestellt, welches im Seitenteil angenäht ist. Hierbei ist es wichtig, die Gardinen zuzuziehen, damit die Fensterfolie nicht mit der Verandastange in Berührung kommt. Die Verandastange kann auch mit einem als Zubehör erhältlichen Baumwolltunnel überzogen werden. Zusätzliche Verandastangen sind als Zubehör erhältlich (siehe Ill. 1).

REISSVERSCHLÜSSE

Wenn es beim Schließen oder Öffnen des Reißverschlusses Schwierigkeiten geben sollte, kontrollieren Sie bitte zuerst, ob das Zelt korrekt aufgebaut ist. Erscheinen Ihnen die Reißverschlüsse zu straff, versetzen Sie einfach die Eckheringe und nehmen Sie etwas Spannung aus dem Zelt.

! Zerren Sie also bitte nie an einem Reißverschluß und benutzen Sie kein ÖL!

Möchten Sie die Reißverschlüsse schmieren, empfehlen wir Ihnen das AquaTex Imprägnierungsspray. Sie können aber auch Paraffin verwenden.

INSTANDHALTUNG DES STAHLROHRGESTÄNGES

Das Standardgestänge in einem Isabella Vorzelt besteht aus heißverzinkten Stahlrohren mit Kunststoffecken und -kreuzen. Die Stangen werden in aufgestelltem Zustand von Sammelfedern zusammengehalten. Es ist deshalb wichtig, dass die Stangen beim Auf- und Abbau des Zeltes behutsam zerlegt werden, damit die Federn intakt bleiben. Wir empfehlen Ihnen, Ihr Stahlrohrgestänge genau wie Ihr Auto zu pflegen. Bitte reinigen Sie es von Schmutz und Sand. Die Oberfläche des Gestänges kann mit Autowachs oder ähnlichem gepflegt werden. So können Sie die Lebensdauer eines Stahlrohrgestänges erheblich verlängern.

INSTANDHALTUNG DES CARBONX-GLASFIBERGESTÄNGES

Ein CarbonX-Glasfibergestänge, erfordert keine spezielle Pflege. Schmutz und Staub sollte dennoch regelmäßig entfernt werden. Wenn die Spannbeschläge zu leicht rutschen, empfehlen wir eine Reinigung der Beschläge und der verschiebbaren Rohre mit Spiritus.

WINDBLENDE / RADKASTENABDECKUNG

Serienmäßig sind alle Isabella Vorzelte mit einer Windblende und einer Radkastenabdeckung ausgestattet. Ziehen Sie die Windblende in die dafür vorgesehene Kederschiene des Wohnwagens. Dabei sollte die zum Lieferumfang gehörende weiße Doppelprofilschiene in das freie Stück des Radkastens mit eingeschoben werden.

Anschließend schieben Sie die Radkastenabdeckung mit dem Keder in die Gegenseite der Doppelschiene und haben somit eine feste Verbindung zwischen Windblende und Radkastenabdeckung geschaffen. Markieren Sie die Position der Druckknöpfe und befestigen Sie die Gegenstücke am Wohnwagen.

REGULIERUNGSSCHNUR

Alle Isabella Vorzelte sind mit Regulierungsschnüren in den Ecken sowie mit einem Dorn am Fußteil der Stützstangen versehen. Dies sichert eine gleichmäßige Abspannung des Vorzelts und vermindert den Verschleiß, weil die Reibung zwischen Zeltstoff und Stangen vermindert wird (siehe Ill. 2).

STURMSICHERUNG

Wenn ein Isabella Vorzelt korrekt aufgebaut ist und alle Heringe befestigt sind, wird es sehr selten durch Sturm beschädigt. Mit allen Isabella Vorzelten werden Zeltleinen für die Eckstangen und die Mittelkreuze geliefert. Diese sollen direkt an die Eck- und Mittelkreuze montiert werden. Auf keinen Fall sollten die Leinen an den Dornen im Dach oder an die Haken der Vordachrohren angebracht werden.

Weder die Dorne noch die Haken sind dafür ausgelegt. Außerdem haben die meisten Isabella Vorzelte Sturmabspanndreiecke, für die Sie als Zubehör die „IsaLink“ Sturmabspannung bekommen können. Diese sollten immer verwendet werden, wenn Sie Ihr Vorzelt besonders gegen Sturm sichern möchten. Diese Sturmsicherungsleinen sollten lose hängen, damit sie nur gestrafft werden, wenn der Wind weht und das Zelttuch sich bewegt! Besonders der Einsatz unserer Isabella Sturmsicherung, welche von innen am Gestängekreuz montiert wird, ist sinnvoll. Wenn Sie das Vorzelt darüber hinaus sichern wollen, so ist es immer möglich, zusätzliche Dachstangen zu montieren, die mit Isabellas patentiertem Wagenbeschlag ohne Verschraubung – FixOn II – leicht zu befestigen sind. Sowohl zusätzliche Dachstangen als auch die FixOn II -Beschläge können Sie als Zubehör beim Isabella Fachhändler bekommen.

Größere Kunststoffheringe (30 cm) und die Sturmabspannung IsaLink, die an alle Isabella-Standardvorzelte ab Baujahr 1978 passt, sind natürlich als Sonderzubehör bei Ihrem Isabella-Fachhändler erhältlich (siehe Ill. 3).

Typhoon Sturmabspannlaschen sind an vielen Isabella Vorzelten serienmäßig. Die hierfür angebotenen Typhoon-SturMLEinen (in einigen Fällen ebenfalls serienmäßig) können mit Hilfe eines Sturmknötens montiert werden. (Ill. 6).

Alle Vorzelte werden serienmäßig mit einer ausreichenden Anzahl an Gestänge und Heringen geliefert. Für den Dauereinsatz empfehlen wir Ihnen zusätzliche Dachstangen und gegebenenfalls größere Heringe. Hierbei ist auf die Bodenbeschaffenheit zu achten, um einen optimalen Halt zu gewährleisten.

In einigen Regionen kann, aufgrund von sehr hartem oder sandigen Boden, der Einsatz von speziellen Heringen notwendig sein. Ihr Händler informiert Sie gern.

SCHNEESICHERUNG VON WINTERZELTEN

Wintercamping wird immer beliebter. Deshalb hat Isabella eine große Auswahl von Winter- und Universalzelten. Für alle Modelle gilt, dass sie mit einer besonders stabilen Dachkonstruktion versehen sind. Die großen Universalzelte sollten, beim ganzjährigen Gebrauch, mit einer zusätzlichen Wintersicherung versehen werden. Diese finden Sie als Zubehör bei Ihrem Händler.

LAGERUNG

Wenn das Vorzelt nicht gebraucht wird, sollte es korrekt aufbewahrt werden. Eine nicht korrekte Winterlagerung kann dem Zelt und dem Gestänge viel Schaden zufügen. Zunächst sollte das Zelt vollständig sauber und trocken sein. Sollte das Zelt beim Abbau feucht sein, sollte es spätestens nach 2 bis 3 Tagen zum Trocknen aufgehängt werden. Wenn es in den Zeltsack verpackt wird, muss es vollständig trocken sein. Hierdurch werden Stockflecken vermieden. Um Rostbildungen am Stahlrohrgestänge zu vermeiden, ist es wichtig, dass auch das Gestänge ganz trocken ist, bevor es zusammengepackt wird. Der Aufbewahrungsort sollte trocken, aber nicht zu warm sein. Es ist zweckmäßig, etwaige Schäden des Zelttes vor dem Einlagern reparieren zu lassen. Außerdem wird empfohlen, alle IsaFlex Abspanngummiringe vor der Winterlagerung abzumontieren.

Wir wünschen Ihnen viel Freude mit Ihrem Isabella-Vorzelt.

WIR BEHALTEN UNS DAS RECHT ZU ÄNDERUNGEN VOR.



PROBLEM	MÖGLICHE URSACHE	WAS IST ZU TUN?
Das Zelt ist undicht	Mangelhafte Pflege Ablagerungen von salzhaltiger Meeresluft auf dem Zelttuch, Luftverschmutzung, Pollen usw. Treibgas aus Sprühdosen (Insektenspray, Deodorant usw.)	Das Vorzelt mit viel, klarem Wasser abspülen und den Schmutz dann mit einer weichen Bürste entfernen. Keine Reinigungsmittel verwenden, außer Alpha 123! Wenn das Zelt völlig abgetrocknet ist, mit AquaTex-Spezialimprägnierung einsprühen.
Kondenzwasser	Fehlende Entlüftung	Die Entlüftung offen lassen.
	Aufsteigende Bodenfeuchtigkeit	Eine Plastikfolie unter dem Vorzeltteppich legen.
Der Reißverschluß kann nicht geschlossen werden	Das Vorzelt ist falsch aufgestellt	Die Eckhäringe versetzen.
	Der Reißverschluß oder der Schieber ist abgenutzt	Wenden Sie sich an Ihren Isabella-Händler.
Das Gestänge rostet	Mangelhafte Pflege	Gestänge von Schmutz befreien und die Oberfläche evtl. mit Autowachs behandeln.
	Es war beim Zusammenpacken feucht	Das Gestänge muß beim Zusammenpacken zu 100% trocken sein.
Das Vorzelt hat Stockflecken	Es wurde feucht zusammengelegt und nicht innerhalb von 2 bis 3 Tagen zum Trocknen aufgehängt	Das Vorzelt muß beim Zusammenpacken zu 100% trocken und sauber sein. Das Zelttuch muß belüftet, trocken und nicht zu warm aufbewahrt werden.
Falten in der Naht zwischen Dach und Vordach	Schlechte Ausspannung	Die Front, wenn möglich, herunterrollen und die Stangen evtl. mit Hilfe von Hercules Twin spannen. Die Nähte müssen sich danach gespannt anfühlen (wie eine Zeltleine, die zwischen 2 Punkten aufgespannt ist).

PROBLEM	MÖGLICHE URSACHE	WAS IST ZU TUN?
Sehr lockerstehende Seiten	Das Zelt ist falsch ausgespannt oder es ist zu groß für den Wohnwagen oder der Wohnwagen ist zu niedrig plaziert	Ausspannung aller Stangen. Die Häringe so plazieren, daß die Zeltunterkante stramm ist. Der Abstand von der Unterkante des Vorzelts zum Boden muß mindestens 12 cm betragen, damit der Zug in den Gummischlingen ausgenutzt wird.
Die Seiten erreichen den Boden nicht	Der Wohnwagen ist zu stark angehoben	Den Wohnwagen auf ebenem Boden plazieren ohne ihn unnötig anzuheben.
	Das Zelt ist für den Wohnwagen zu klein	Das A-Maß von Vorzelt und Wohnwagen kontrollieren.
Weißer Beläge auf dem PVC-Material	Wetter-/Luftteinwirkung	Mit einer Lupe kontrollieren. Es handelt sich wahrscheinlich um Insekteneier, die Sie leicht mit AquaTex-Imprägnierung, einer Nagelbürste und einem weichem Lappen entfernen können.
Kleine Löcher im Dach	Verschleiß	Es handelt sich evtl. um kleine Verschleißmarken in der äußeren Beschichtung. Normalerweise wird dadurch die Dichtheit und Haltbarkeit nicht beeinträchtigt. Evtl. Reparaturlack auf die Außenseite auftragen.
	Stockflecken	Innenseite mit Wasser abspülen und wieder mit AquaTex imprägnieren. In schlimmen Fällen Austausch des Daches.
Fenster sind faltig und undurchsichtig	Schlecht zusammengelegt oder schlecht ausgespannt	Gute Ausspannung und ausreichende Wärme sorgen für glatte Fenster. Tieferliegende Falten sind leider auch mit unserer modernen Produktionstechnologie nicht immer ganz zu vermeiden.

Falls Sie Ihr Problem mit Hilfe dieser Tabelle nicht lösen können, lassen Sie sich bitte von einem autorisierten Isabella-Händler beraten!

Graag maken wij van deze gelegenheid gebruik om u geluk te wensen met uw nieuwe Isabella voortent. Wij zijn er trots op, dat u voor onze tent gekozen heeft en willen u graag met raad en daad bijstaan om u jarenlang probleemloos plezier te laten beleven aan uw Isabella tent. Speciaal hiervoor hebben wij een complete Isabella-map vervaardigd, waarin u naast dit boekje met praktische adviezen en tips, o.a. een opbouw instructie.

Wij feliciteren u met de keuze voor een Isabella product en wij willen u graag adviseren hoe u optimale service van ons kunt verwachten. Wij hebben een boekje samengesteld met daarin alles dat betrekking heeft op dit Isabella product, inclusief een opbouw instructie. In dit boekje vindt u ook tips hoe om te gaan met het doek en het frame. Lees dit boekje aandachtig door, voor dat u de voortent voor de eerste keer gebruikt.

Wij raden u aan uw aankoop zo spoedig mogelijk te registreren in onze database.

U kunt deze invullen op onze homepage www.isabella.net De "A" size en het "C-Nr" kunnen gevonden worden op het label aan de buitenkant van de opbergtas. Indien er onverhoopt een probleem ontstaat met uw aankoop, volg dan de aanwijzingen op het service certificaat.

Belangrijk! · Onderzoek de caravan rails op scherpe uitsteeksels en oneffenheden

• Reinig de tent regelmatig met schoon leidingwater.

Gebruik nooit fosfaathoudende zeep of andere reinigingsmiddelen.

ZO VERLENGT U DE LEVENSDUUR VAN UW VOORTENT AANMERKELIJK!

Goed en regelmatig onderhoud verlengt de levensduur van uw voortent.

Het loont zeker de moeite, zowel het tentdoek als het frame goed te onderhouden en te behandelen. Verscheidene onderzoeken en tests hebben inmiddels bewezen, dat een juist onderhoud van een voortent de levensduur aanzienlijk verlengt.

Kampeeders, die het gehele seizoen in een bosrijk gebied of dicht in de buurt van zee kamperen, lopen het meeste risico dat de voortent poreuze plekken gaat vertonen.

Het zoutgehalte van zeelucht werkt namelijk in op de duurzaamheid van de tentstoffen. Zout trekt vocht aan en langzaam maar zeker tast dit proces de impregnering aan van de tent. Ook luchtverontreiniging, stofmeel, insecten en vogelpoep tasten de impregnering van uw voortent aan wanneer u ze niet tijdig verwijderd. Reinig uw voortent daarom regelmatig zoals aangegeven. Wees voorzichtig met drijfgassen uit spuitbussen zoals haarlak, deodorant, insecticide, etc. deze kunnen de impregnering flink aantasten. Vooral insecticide wordt nog wel eens door kampeeders in de buurt en nog erger, zelfs op de tentopeningen gespoten.

Het raamfolie is gemaakt volgens de beste specificaties, omdat het folie zowel zacht om te vouwen moet zijn als ook transparant - zo doorzichtig mogelijk. Isabella gebruikt het beste raamfolie van een's werelds toonaangevendste fabrikanten. Vanwege milieuwetgevingen is het tegenwoordig verboden om nog weekmakers te gebruiken die het zwaarmetaal Barium/Cadmium bevatten, daarom wordt nu als vervanging hiervoor Barium/Zink gebruikt. Dit heeft helaas tot gevolg dat de folie structuur veranderd is, hierdoor vallen vlekken en vouwpunten meer op dan voorheen. Deze vouwpunten kunnen op dubbelgeslagen vouwen zelfs leiden tot „wondjes“ in het folie. Op het moment is dit helaas onmogelijk te vermijden, maar Isabella garandeert ten alle tijde een folie te gebruiken die optimale duurzaamheid heeft samen met andere voordelen zoals bescherming

tegen ultraviolette straling en temperaturen van -25 tot +60°C. Een preventie van deze vouwen en „wondjes“ kan het ophangen zijn van de vensters boven bijvoorbeeld een verwarming radiator (zonder deze aan te raken) enkele dagen voor dat te voor het eerst opgebouwd worden na een langere tijd van opslag in samengevouwen toestand.

Wij raden altijd aan om het bijgeleverde foam te gebruiken bij het opvouwen van uw tent. Hiermee houdt u de ramen in goede staat.

Het Isabella gordijnsysteem bestaat uit twee delen, waarvan 1 deel aan het gordijn en 1 deel aan de voortent gemonteerd worden. Bij het afbreken van de voortent blijft de zgn. "koffer" aan de voortent en het "rondje" aan het gordijn.

De DropStop afdichtingringetjes zijn voorgemonteerd bij de koperen dakringen en verhinderen het binnendringen van regenwater. Ook zijn deze als accessoire bij uw Isabella-dealer verkrijgbaar.

CORRECTE AFSPANNING

Een correct afgespannen voortent heeft een langere levensduur, dan een voortent waarbij men minder moeite heeft genomen bij het opbouwen. De juiste opbouw en vooral ook de juiste volgorde bij het afspannen dragen er aan bij, dat er geen versnelde slijtage optreedt en er geen vuil verzamelt in vouwen en doorhangpunten, die het materiaal onnodig beschadigen.

Nadat de voortent enkele keren is opgebouwd, neemt het correcte opbouwen en afspannen nauwelijks meer tijd in beslag. Men moet zich bij het uitspannen en afspannen van de voortent beslist aan de juiste volgorde houden. Deze volgorde is specifiek beschreven in de gebruiksaanwijzing! De aanschaf van onze tentafspanner Hercules Twin kan hierbij een zeer goede hulp zijn. Het vergemakkelijkt het afspannen van de voortent (zie Ill. 4).

Het is verstandig bij langdurig gebruik de tent af en toe daar waar nodig nog eens na te spannen, zodat het geheel op de langere termijn ook mooi blijft.

Wij raden het aan de tentstof op 10 cm boven de grond te houden voor een optimale afspanning.

Zorg ervoor dat de vleugelmoer niet tegen het materiaal komt, dit voorkomt schade aan de tent.

Het is zeker zinvol de gebruiksaanwijzing bij het opbouwen voor de eerste keer in zijn geheel goed door te lezen. Als extra kan men een demo video downloaden via www.isabella.net.

REINIGING VAN TENTDOEK EN VENSTERS

Gebruik nooit een algemeen reinigingsmiddel.

Gebruik uitsluitend de speciale schoonmaakmiddelen van Isabella.

Gebruik in geen geval zeep, maar veel water en een zachte borstel (bijvoorbeeld een autowasborstel). Gebruik de borstel pas nadat u de tent eerst bevochtigd hebt en verwijder daarna het vuil met schoon water. Spoel tenslotte de voortent nog eenmaal rondom schoon. Dit dient u enkele malen per seizoen te herhalen.

De vensters worden op dezelfde wijze gereinigd als het tentdoek. Reinigingsmiddel voor ramen of spiritus mogen nooit gebruikt worden voor de PVC-vensters.

Ook raden wij u aan de tent aan de binnenzijde af te borstelen om stof van aarde te verwijderen. In combinatie met vochtigheid of een beetje condens kan dit moeilijk verwijderbare vlekken geven.

Voor het dak, de zijdelen en de hoeken verdienen uw speciale aandacht.

Het enige reinigingsmiddel dat wij aanbevelen is IsaClean, dat een goed testresultaat heeft gegeven.

IsaClean wordt gebruikt voor het reinigen van het hele dak en andere delen. Maar het kan niet alleen voor vlekken reiniging gebruikt worden. IsaClean is verkrijgbaar via uw voortentleverancier.

De gordijnen uit de Isabella voortenten kunnen gewassen worden op een temperatuur van 30°C. Het wielje van de gordijnhaken dienen verwijderd te worden voor het wassen.

IMPREGNERING

Vertoont uw voortent desondanks toch na enige tijd poreuze plekken, dan kunt u dit ongemak snel verhelpen met AquaTex impregneringsspray, een spray die samengesteld is met koolzuurgas en daarom absoluut veilig voor het tentdoek.

Voorwaarde is wel, dat de voortent eerst grondig gereinigd en volkomen droog is.

Let op: na verloop van tijd verliest oude spray zijn werking; gebruik daarom altijd een nieuwe bus. Breng de impregnering aan de binnenzijde van de tent aan, omdat de binnenzijde in de meeste gevallen het minste vuil bevat. Als de stof poreus is, zal de AquaTex impregnering snel doordringen en ook aan de buitenzijde werkzaam zijn.

Bij sterk uitgedroogd materiaal bestaat de mogelijkheid, dat er na impregnering aan de buitenzijde een vlekkenbeeld ontstaat. In dat geval is het nodig ook de buitenzijde te impregneren. Maar vooral niet vergeten eerst de tent goed te reinigen! Voor de binnenkant van de tent geldt dit natuurlijk ook, vooral wanneer er in de tent veel gerookt wordt. Nicotine is ook een stof die de impregnering aantast en nieuwe impregnering belemmert.

Het is dus een goede zaak om altijd en overal een bus AquaTex impregneringsspray mee te nemen tijdens uw kampeertochten. Het kan u zeer behulpzaam zijn bij onverwachte problemen.

Wanneer de tent bijvoorbeeld wat moeilijk door de caravanrail wil, spuit u wat AquaTex in de rail en u zult zien, dat de tent aanmerkelijk lichter door de geleider glijdt.

Daarnaast is de AquaTex impregnering ideaal voor het smeren van ritssluitingen en het verwijderen van olievlekken e.d.

Voorts kan men de impregneringsspray ook gebruiken voor schoenen e.d.. Kortom, een onmisbaar onderdeel van de gereedschapskist.

Wanneer uw voortent het hele seizoen opstaat raden wij het aan uw voortent elke 2 jaar opnieuw te impregneren. Hiervoor heeft u een 5 liter kan Aqua Tex nodig en een tuinsproeier om het gelijkmatig op de tent te verdelen.

Hoewel de AquaTex de ramen niet kan beschadigen is het raadzaam deze af te wissen voordat de impregnering opdroogt.

VENTILATIE

De ventilatie binnen de voortent is belangrijker dan u wellicht denkt. Bij extreme weersomstandigheden met een hoge luchtvochtigheidsgraad en schommelende temperaturen vormt zich al snel condenswater – vooral bij synthetische tenten. Deze condensdruppels zetten zich veelal af aan het tentdak en frame en wordt vaak genoeg verward met lekkage.

Dit probleem kunt u verhelpen door de ventilatieopening zoveel mogelijk open te houden ook wanneer u de tent voor langere tijd verlaat. Indien mogelijk kunt u de tochtstrook openschuiven waardoor de luchtcirculatie aanmerkelijk verhoogd wordt. Wanneer u een plastic onderlaag onder uw Isabella Carpet plaatst voorkomt u het opstijgen van de grondvochtigheid in de tent. Onder

extreme omstandigheden kunnen condenswaterproblemen niet geheel vermeden worden, maar wel geminimaliseerd.

KLEINE LEKKAGES BIJ NADEN

Het naaigaren dat wij voor onze voortenten gebruiken is geïmpregneerd. Daarom zal dat naaigaren uitzetten na 2-3 regenbuien, waarna de naaigaten worden afgedicht. Tot dat moment kunnen bij de naden kleine lekkages optreden.

VERANDA-OPENING

De meeste standaardtenten van Isabella hebben afneembare en neerrolbare zij- en frontdelen. Hiermee is het mogelijk met de meegeleverde verandastang zowel het front of een zijdeel neer te rollen. Deze verandaoplossing wordt in de zijdelen gerealiseerd door middel van een klein stoffen driehoekje, dat dicht aan de caravanzijde is genaaid. (Zie ill. 1).

Het is belangrijk, dat u voor het neerrollen de gordijnen sluit zodat de vensterfolie niet in aanraking komt met de verandastang. Zorg er tevens voor dat de vleugelmoer/snelspanner niet tegen het tentmateriaal komt, dit kan uw tent beschadigen. Wilt u het zich makkelijker maken, dan kunt u over de verandastang een hoes aanbrengen (verandastangen en beschermhoed zijn als accessoire verkrijgbaar bij uw dealer).

RITSSLUITINGEN

Als het sluiten of openen van de ritssluitingen moeilijk gaat, controleer dan eerst of de tent correct is opgezet. Gaat de ritssluiting dan nog stroef, verzet dan de hoekharingen.

A.U.B. Nooit hard aan de ritssluiting trekken of olie gebruiken!

Indien de ritssluiting gesmeerd moet worden, gebruikt u dan daarvoor de AquaTex impregnering. Voor het uitnemen van een voor- en/of zijwand dienen 2 runners strak op elkaar op de onderste stand geplaatst te worden. Alleen dan bereikt u het gewenste resultaat.

Geforceerde of gedeformeerde ritsen/eindstoppen vallen niet onder de garantie.

ONDERHOUD VAN HET TENTFRAME

Het standaardframe van een Isabella voortent bestaat uit heetverzinkde staalbuizen met kunststof kruis- en hoekstukken.

De stangen worden in opgebouwde stand door verbindingsveren bijeengehouden. Het is daarom belangrijk, dat de stangen bij het opbouwen of afbreken van de tent uiterst voorzichtig uit elkaar genomen worden, zodat de veren in takt blijven.

Wij raden u aan de straalbuisstangen precies zo te behandelen als de carrosserie van uw auto. Dat wil zeggen, nadat u vuil en zand verwijderd heeft, behandelt u het oppervlak van de stangen met autowas. Op deze wijze kunt u de levensduur van het frame aanmerkelijk verlengen.

ONDERHOUD VAN HET CARBONX-GLASFIBERFRAME

Een CarbonX-glasfiberframe, dat nu voor de meeste Isabella-modellen leverbaar is, behoeft, behalve het verwijderen van vuil, geen speciaal onderhoud. Wanneer de afspanklem te glad is, raden wij u aan de binnenzijde van de klem en het oppervlak van de verschuifbare buis met spiritus te reinigen.

TOCHTSTROOK / WIELKASTBEDEKKING

Alle Isabella voortenten zijn uitgerust met een standaard tochtstrook en een wielkastbedekking om ongewenste tocht in de voortent te voorkomen. De tochtstroken en de slikranden zijn voorzien van haringgaten, waarin de bijgeleverde tentpennen passen.

In bepaalde gevallen kan het echter voorkomen, dat de gaten (vooral in de hoeken) niet over elkaar passen, zodat u geneigd kunt zijn de haring door de slikrand heen te slaan.

U kunt echter ook zonder de gaten de haringen aan de slikranden bevestigen, omdat de speciale haken aan de tentpennen de slikranden makkelijk kunnen neerhalen, zonder deze te beschadigen.

REGELSNOER

Alle Isabella voortenten zijn uitgerust met een regelsnoer, hetgeen overal een gelijke afspanning van de tent garandeert.

Bovendien wordt het frame minder belast door de spanning van het tentdoek. (Zie ill. 2).

STORMBESPANNING

Als een Isabella tent correct is opgebouwd en alle haringen bevestigd zijn, zal deze zelden door storm beschadigd kunnen worden. Bij alle Isabella tenten worden tentlijnen voor hoekstangen en tussenkruisen geleverd, die direct aan de hoekstangen en middenstangen moeten worden bevestigd.

Zij mogen in geen geval worden bevestigd aan de dakpen of aan de haken van de luifelstangen.

Noch de dakpennen, noch de haken zijn daarop berekend en zullen dan mogelijk snel afbreken. Bovendien hebben de meeste Isabella tenten stormbesspanningspunten, waarvoor u als accessoire IsaLink stormafspanning met afspanrubbers kunt kopen. Deze dient u altijd te gebruiken als u de tent extra tegen storm wenst te beveiligen. Wanneer u andere ringen gebruikt dan IsaLink met afspanrubbers, bestaat het gevaar dat de stormbesspanningspunten stuk gaan.

Het is echter een misvatting dat door de stormbesspanningspunten de voortent wordt afgespannen. Dit tast de vorm van de tent aan omdat vensters en naden scheef worden getrokken. De lijnen horen los te hangen en wel op zo'n wijze, dat zij alleen worden strakgetrokken als er wind waait en daardoor het tentdoek beweegt.

Wilt u de voortent nog uitgebreider beveiligen, dan is het altijd mogelijk bijbehorende extra dakstangen te monteren. Een zeer eenvoudig handeling met de schroefloze gepatenteerde tentoogverbinding de „FixOn II“ Zowel de FixOn II verbindingen als de dakstangen zijn als accessoire verkrijgbaar bij uw Isabella-dealer. (Zie ill. 5).

De plastic haringen van 30 cm en de stormafspanning IsaLink, die aan alle Isabella tenten vanaf 1978 en later past kan als accessoire bij uw Isabella dealer verkregen worden (zie ill. 3).

Typhoon stormafspanning wordt bij vrijwel iedere Isabella tent gemonteerd en de Typhoon scheerlijn kan gemonteerd worden doormiddel van een handig bijgeleverde houten klos (zie ill. 6).

Alle voortenten worden seriematig met het aantal stangen en haringen geleverd die noodzakelijk zijn voor het gewone kamperen.

Als de voortent voor langere tijd wordt verlaten raden wij het aan extra dakstangen en grotere

haringen te monteren die in verhouding zijn met het terrein waar u zich bevindt.

Extra scheerlijnen raden wij ook aan, maar geen stormband over het dak van de tent. Hierdoor wordt namelijk de coating van het dak beschadigd en krijgt de tent een verkeerde afspanning. Indien u in een gebied kampeert met een erg harde of juist zanderige ondergrond, kan het gebruik van speciale haringen noodzakelijk zijn. Vraag informatie bij uw dealer.

SNEEUWBEVEILIGING VOOR WINTERTENTEN

Het winterkamperen raakt steeds meer in trek en Isabella heeft een grote keuze in winter en universele voortenten in haar programma. Al deze modellen zijn standaard uitgerust met een bijzonder sterke dakconstructie. Indien de grotere universele tenten voor het hele seizoen worden opgebouwd is het noodzakelijk hiervoor de extra winterzekering te gebruiken. Sommige verzekeringen stellen dit ook als verplichting. De winterzekeringsset is als accessoire verkrijgbaar.

OPSLAG

Als de voortent niet wordt gebruikt dient hij op de juiste wijze te worden opgeslagen. Want verkeerde opslag kan uw tent onherstelbaar beschadigen. Allereerst dient de tent schoon en droog te zijn. Indien de tent nat moet worden afgebroken, dient deze binnen maximaal 2-3 dagen te worden uitgehangen zodat hij drogen kan. Wanneer de tent in de tas wordt gedaan moet deze voor 100% droog zijn! Hierdoor vermijdt u de zgn. vochtvlekken en schimmel.

Het droog opbergen van de tentstangen voorkomt roestvorming.

De opslagplaats moet droog, maar niet te warm zijn. Laat eventuele schade aan uw tent voor het opslaan repareren en verwijder ook eerst alle IsaFlex rubberringen.

Wij wensen u veel en langdurig plezier met uw Isabella voortent!

RECHT OP WIJZIGINGEN VOORBEHOUDEN.



PROBLEEM	MOGELIJKE OORZAAK	WAT TE DOEN/ WAT KAN ER GEDAAN ZIJN
Lekkage	Slecht onderhoud; Aantasting door zouthoudende zeeluchtstroming, luchtverontreiniging, schimmels etc. Nog een oorzaak kan zijn: drijfgas van b.v. insektenspray, deodorant etc.	De voortent met veel helder water spoelen en dan het vuil met een halfzachte borstel verwijderen. Geen reinigingsmiddel gebruiken – behalve Alpha 123! Indien nodig de voortent met AquaTex inspuiten als de tent geheel droog is.
Condenswater	Slechte ontluchting	De ontluchting permanent open laten. Evt. 's-avonds de wielkastafdichting open laten voor een goede luchtdoorstroming.
	Vochtigheid v.d. bodem	Plasticfolie onder het voortenttapijt aanbrengen.
Ritssluiting kan niet dicht	De voortent is verkeerd opgezet	De hoekharingen verplaatsen, zie ook opbouw instructie.
	De ritssluiting of de runner is defect	Neemt u contact op met uw dealer.
Het frame roest	Slecht onderhoud	Uw frame van vuil en vocht ontdoen. Vervolgens het oppervlak met autowas behandelen.
	Vochtig opgeborgen	Het frame zo droog mogelijk opbergen.
Voortent heeft vochtvlekken	Vochtig opgeborgen en niet binnen 2 a 3 dagen uitgepakt om alsnog te drogen	Probeer de voortent altijd 100% droog op te bergen. Indien de tent voor langere tijd opgeborgen wordt, moet dit in een droge, niet te warme, geventileerde ruimte gebeuren.
Vouwen tussen het dak en het voordak	Slecht uitgespannen	De frontdelen naar beneden rollen, waarna de dwarstokken evt. met de Hercules Twin nagespannen kunnen worden. Controleert u, dat de naden gespannen aanvoelen.

PROBLEEM	MOGELIJKE OORZAAK	WAT TE DOEN/ WAT KAN ER GEDAAN ZIJN
De wanden staan losjes	Slecht uitgespannen. De tent is te groot voor de caravan. De caravan staat verkeerd (te lang).	Alle stangen naspannen. De haringen zo plaatsen dat de onderkant strak staat. Zorg ervoor dat de afstand tent-bodem min. 12 cm is, zodat de trekkracht van de afspanningen goed gebruikt wordt.
	De caravan staat te hoog	De caravan op een meer vlakke ondergrond plaatsen.
De wanden kunnen de bodem niet raken	De tent is te klein in verhouding tot de caravan	De A-maat van de caravan controleren.
	Witte uitslag op het PVC-materiaal	Weer/Luchtinwerking
Kleine gaatjes in het dak of doek	Slijtage	Dit kunnen evt. kleine slijtageplekjes zijn in de buitenste coating. Dit heeft geen betekenis voor de waterdichtheid of duurzaamheid. Deze plekjes kunnen evt. met reperatielak op de buitenkant verbeterd worden.
	Schimmel en opberg vlekken	Bij schimmel en opberg vlekken werkt het afspoelen met schoon water nog het beste. Daarna de droge tent van binnenuit opnieuw impregneren. In het ergste geval een nieuw dak.
Vouwen in het venster. Vensters zijn ondoorzichtig	Slecht opgeborgen. Slechte afspanning.	Bij een goede afspanning en door warmtewerking worden vensters het snelst glad. Helaas kunnen zeer diepe vouwen met de ons nu bekende productietechnieken niet voorkomen worden.

Indien de bovengenoemde raadgevingen niet tot een perfecte opstelling van de voortent leiden is het raadzaam contact op te nemen met uw eigen Isabella dealer.

Vi vil gerne benytte lejligheden til at ønske Dem tillykke med Deres nye Isabella fortelt. Vi er stolte over, at De har valgt et Isabella produkt, og vil gøre vort bedste, for at De skal få en række gode og problemfri år med Isabella.

For at sikre os, at De får så megen glæde af Deres nye fortelt som muligt, har vi fremstillet en komplet Isabella mappe. Mappen indeholder foruden denne brugermanual bl.a. en opstillingsvejledning. Udvid din garanti ved at gå på Isabella.net og registrér dit fortelt. De vil her i brugermanualen kunne finde alt om vedligeholdelse og korrekt brug af Deres fortelt. Vi anbefaler, at De læser manualen grundigt igennem, inden De stiller teltet op første gang, da den indeholder mange gode tips om bl.a. opstillingen. De kan udfylde servicebeviset på vores hjemmeside www.isabella.net, hvis De vil være sikker på registrering i vores database. Dog er købskvitteringen til en hver tid den gældende ved evt. reklamation.

Oplysninger om A-mål og C.nr. vil altid være at finde i bunden af teltsækken.

- ! VIGTIGT! · Skinnerne på vognen kontrolleres for grater og ujævnheder.**
● Rengør ofte teltet med rindende vand. Brug aldrig sulfo og andre rengøringsmidler.

SÅDAN FÅR MAN ET FORTELT TIL AT HOLDE ET PAR ÅR LÆNGERE

Det eneste, man skal ofre, er nogle minutters læsning nu og et par timers vedligeholdelse om året. Det betaler sig at være god ved såvel stangsæt som teltdug. Forskellige undersøgelser og tests, foretaget af Isabella fabrikken, har tydeligt vist, at med den rigtige vedligeholdelse kan man lægge flere år til forteltets levetid.

De campister, som langtidscamperer ved havet eller i skovområder, er mest udsat for at få problemer med deres fortelt. Problemerne består oftest i utætheder, som i mange tilfælde skyldes forkert eller for ringe vedligeholdelse.

Fra havet kommer saltholdige vinde (havvus), som aflejrer salt på teltdugen. Saltet binder luftens fugtighed, og denne proces nedbryder langsomt, men sikkert teltets imprægnering.

Luftforurening, pollen og ekskrementer fra bladlus og fugle kan også, hvis det får lov at sætte sig på teltdugen, nedbryde imprægneringen.

Det er derfor meget vigtigt, at man sørger for at holde sit telt rent ved at vaske det ofte. Læs mere om korrekt rengøring i næste afsnit.

Husk også, at den drivgas, der kommer fra aerosoldåser (spraydåser), er lige så skadelig for et fortelts imprægnering, som den er for ozonlaget. Begge dele nedbrydes med tiden.

Overvej det derfor nøje, når De køber/bruger hårlak, deodorantspray, anti-myggespray etc. Specielt det sidste har mange nok prøvet at sprøjte rundt om indgangsdøren.

Vinduesfolie er et højteknologisk produkt, der samtidig med at være smidigt ved sammenlægning også skal være transparent - så klart som muligt.

Isabella benytter vinduesfolie i den bedste kvalitet fra verdens førende producent. P.g.a. miljøhensyn, hvor det i dag er forbudt at bruge det tungmetaltholdige blødgøringsmiddel barium/cadmium, benyttes for tiden barium/zink som erstatning, hvilket desværre ændrer vor foliestruktur, således at der kan forekomme dybereliggende "flimmer", samt at sammenlægningsfolder fremtræder tydeligere end tidligere. I disse folder vil der i visse af de dobbelte sammenlægningsfolder være noget, der minder om et lille "sår" i folien. Dette er for tiden umuligt at undgå, men Isabella garan-

terer til enhver tid at benytte en folie, der lever op til vore krav om holdbarhed generelt, bl.a. imod UV-bestråling og temperaturer fra -25 til +60°C.

En forebyggelse af krøller m.m. kan være ophængning af vinduesstykkerne et varmt sted (over radiatoren - uden at røre denne) et par dage inden den første opstilling efter længere tids opbevaring i sammenlagt form. Vi anbefaler, at skum-pakkematerialet, der er leveret med Deres telt, genanvendes ved hver sammenlægning, da det bidrager til vedligeholdelsen af vinduerne. Isabellas gardinhægtesystem består af to dele, som monteres på hhv. teltet og i gardinet. Ved nedtagning skal "kufferten" forblive på teltet og "hjulet" i gardinet.

I alle kovseringe i taget er der fra fabrikken monteret DropStop tætningsringe, som sikrer, at der ikke trænger vand ind ved piggene. Disse fås også som ekstraudstyr hos Deres Isabella forhandler.

KORREKT OPSTRAMNING

Et korrekt opstrammet fortelt holder væsentligt længere end et fortelt, hvor man ikke har ofret opstillingen så meget opmærksomhed.

Når opstramningen er så afgørende hænger det sammen med, at et dårligt opstrammet fortelt langt hurtigere får slidskader samtidig med at folder i teltdugen og vinduerne samler skidt, som er med til at nedbryde stoffet.

En korrekt opstramning behøver ikke at tage længere tid, når man først har prøvet det et par gange. Det er vigtigt, at man benytter den rigtige opstrammingsrækkefølge og at det sker systematisk. Det er i øvrigt en fordel at anskaffe en Hercules Twin teltopstrammer - et hjælpeværktøj, som gør opgaven noget lettere. (Ill. 4).

Det er også vigtigt at huske, at en korrekt opstramning ikke holder evigt. Der er med jævne mellemrum behov for at justere opstramningen, så den hele tiden er optimal.

Det anbefales, at selve teltdugen skal være omkring en halv snes centimeter fra underlaget/jorden for at give den mest optimale opstramning af forteltet.

De skal sikre, at vingeskruerne ved forbindelsesleddene ikke gnider mod teltdugen, da dette vil beskadige teltet. Det er en god idé at investere lidt tid i at følge opstillingsvejledningen grundigt - eventuelt suppleret med et kig på Isabellas videodemonstration, der både kan ses hos Deres Isabella-forhandler og på www.isabella.net.

RENGØRING AF TELTDUG OG VINDUER

Allerførst: Rengøringsmidler af enhver art er bandlyst - brug kun IsaClean rengøringsmiddel fra Isabella.

Altså ingen anden type sæbe. Brug derimod rigeligt med rent vand og en blød børste. Teltet oversprøjtes med vand, og bagefter går man i gang med børsten, samtidig med at man lader vandet skylle det skidt væk, som er børstet løs.

Skyl til sidst teltet grundigt. Denne behandling bør foretages mindst et par gange i løbet af sæsonen. Den beskrevne behandling gælder såvel teltdug som vinduer. Lad endelig være med at bruge sprit eller vinduespudsemidler til PVC-vinduer, det holder de ikke til.

Endvidere anbefales det at børste teltet indvendigt jævnlige for at fjerne jordstøv, som sammen med fugt kan medvirke til, at teltdugen bliver jordslået.

Særligt udsatte steder som tag, endegavle samt alle hjørner skal have en ekstra grundig behandling.

Det eneste rensmiddel vi kan anbefale, er IsaClean, som er testet og afprøvet med godt resultat. IsaClean anvendes til at rense hele tage og paneler, men kan ikke anvendes til pletrens. Fås hos Deres Isabella-forhandler.

Gardinene i Isabellas fortelte vaskes ved 30°C. Gardinclips- ”hjulet” bør fjernes før vask. Når gardinet vaskes og efterfølgende stryges, kommer imprægneringen tilbage i overfladen.

IMPRÆGNERING

Skulle skaden nu alligevel være sket, og teltet er blevet utæt, er der ingen grund til at fortvivle. I langt de fleste tilfælde kan skaden udbedres ved hjælp af AquaTex specialimprægneringsspray, som vel at mærke er en spray med kulsyre som drivmiddel, og derfor ikke vil gøre nogen skade. Det er vigtigt, at teltet er grundigt rengjort og helt tørt, inden imprægneringen påbegyndes. Det hjælper ikke, hvis man sprøjter ny imprægnering på gamle aflejringer.

Imprægnering bør foretages både indvendigt og udvendigt. Indvendig imprægnering giver en vis tæthed og beskytter teltet mod råd og svamp (jordslæthed). Udvendigt giver AquaTex imprægnering den bedste tæthed og ”perleeffekt”.

Men husk! Rengøring af teltet er vigtig inden imprægnering, ikke mindst indvendigt, og især hvis der ryges meget i forteltet. Man ser ofte en del nikotin på indersiden af stoffet. Nikotin nedbryder imprægnering og er umuligt at imprægnerer ovenpå.

Det er under alle omstændigheder en god idé altid at have en AquaTex imprægneringsspray med på campingtur. Den kan afhjælpe mange af de problemer, der kan opstå hen ad vejen.

Er det f.eks. svært at få trukket teltet i skinnen, tager man blot sin imprægneringsspray og giver skinnen en tur hele vejen rundt, og teltet glider let.

AquaTex imprægnering er desuden velegnet til smøring af lynlåse, samt til at fjerne oliepletter eller lignende med, og så kan den selvfølgelig bruges til at imprægnerer fodtøj med. Alt i alt en god investering til værktøjskassen.

Det anbefales, at efterimprægnerer sit fortelt hvert andet år, hvis teltet står ude hele sæsonen. Hertil skal De bruge en 5-liters dunk med AquaTex imprægnering og en havesprøjte til at fordele det jævnt på teltet. Selvom vinduerne ikke tager skade af væsken, er det dog bedst at tørre dem af, inden væsken tørrer ud.

UDLUFTNING / VENTILATION

Udluftning af forteltet er langt vigtigere, end de fleste formodentlig er klar over. Det gælder specielt syntetiske telte og er særlig vigtigt på steder med høj luftfugtighed og svingende temperaturer, idet der her ofte er stor risiko for meget kondensvand.

Kondensvand viser sig næsten altid i taget, hvor det samler sig om stængerne, og netop derfor bliver det ofte forvekslet med utætheder. Kondensvandproblemer kan dog afhjælpes en del, hvis man altid lader udluftningen stå åben - ikke mindst hvis man er væk i længere tid. Endvidere er det gavnligt, hvis understykket, i de tilfælde hvor det er muligt af hensyn til træk, tages lidt til side, så man får luftcirkulation ind i forteltet også ad denne vej.

Kondensvandproblemer kan under ekstreme forhold ikke helt undgås, men kan dog minimeres, hvis man følger ventilationsrådene og endvidere lægger et plastunderlag under forteltets gulv-tæppe. Det sikrer, at jordfugtigheden holdes ude af forteltet.

SMÅ UTÆTHEDER VED SYNINGER

Den sytråd vi bruger i vores fortelte er imprægneret. Derfor udvider sytråden sig efter 2-3 gange regnvejr, hvorefter sy-hulleerne tætnes. Indtil da kan du opleve små utætheder ved syninger.

VERANDALØSNING

De fleste Isabella standardfortelte har aftagelige og nedfældbare gavle- og frontdele. Såfremt dette er tilfældet, kan man ved hjælp af den medleverede verandastang lægge såvel front som gavle halvt ned - den såkaldte verandaløsning.

Verandaløsningen i gavlene laves ved hjælp af den lille trekantede flap, der er syet i sidedugen helt inde ved vognen. Det er vigtigt at trække gardinerne for, så vinduesfolien ikke kommer i berøring med verandastangen. Mener man, det vil være lettere, findes der overtræk lige til at trække udenover verandastangen (fås som ekstraudstyr). Yderligere verandastænger fås ligeledes som ekstraudstyr. (Se ill. 1).

LYNLÅSE

Får man problemer med lynlåsene, er det klogt at se efter, om forteltet er stillet rigtigt op. Brug derfor aldrig vold, hvis en lynlås ikke vil lukkes. Forekommer lynlåsen stram, så prøv at flytte hjørnepløkkene. Det hjælper som regel.

Smør aldrig lynlåsene med olie. selvom det kan virke fristende!!! Skal lynlåsene smøres, kan vi som tidligere nævnt anbefale at give dem en gang Aqua-TEX imprægneringsspray eller at gnide dem med et stykke paraffin.

VEDLIGEHOLDELSE AF STÅLSTEL

Standardstellet i Isabellas fortelte er lavet af varmforzinkede stålrør og har kunststoffhjørner og -kryds. Rørene holdes i opslået stand på plads af en ”samlefeder”. Det er derfor vigtigt, at man ved opstilling eller nedtagning af stellet samler/skiller rørene med en vis varsomhed, så fjedrene ikke forstrækkes. Det kan på det varmeste anbefales, at man passer sit stålstel på samme måde, som man passer sin bil. Det vil sige, at man jo naturligvis gør det rent for jord og snavs, men også at man overfladebehandler det med f.eks. autovoks. På den måde kan man forlænge et stålstels levetid betydeligt.

VEDLIGEHOLDELSE AF CARBONX-GLASFIBERSTEL

CarbonX-glasfiberstel, som jo kan leveres til størstedelen af Isabellas forteltmodeller, kræver næsten ingen vedligeholdelse, kun almindelig afvaskning af snavs.

Hvis spændebeslagene skulle have tendens til at glide, anbefaler vi rengøring af beslagenes inder-side samt det forskydelige rør med husholdningssprit.

UNDERSTYKKE / HJULAFDÆKNING

Alle Isabella fortelte leveres med understykke, og er desuden forsynet med en hjulklap, således at der er lukket helt af for træk. Understykke samt græskant er forsynet med pløkhuller, der passer til de medleverede trådpløkke; men i visse tilfælde, især i hjørnerne, passer hullerne ikke altid over hinanden, hvorfor det så kan blive nødvendigt evt. at slå pløkkene igennem græskanten. Man kan også pløkke uden for græskanten, idet trådpløkkenes specielt formede kroge sagtens kan holde græskanten nede, uden at skade denne.

REGULERINGSSTROP

Alle Isabella fortelte er forsynet med reguleringsstroppe i hjørnerne samt pigdupsko på stængerne, hvilket sikrer en ensartet opstramning af forteltet samt nedsætter risikoen for slitage fra stængerne, idet telstoffet vil arbejde væsentlig mindre hen over stængerne. (Se ill. 2).

STORMSIKRING

Et Isabella fortelt skades meget sjældent i storm, hvis det er spændt rigtigt op og alle pløkke slået i.

Til alle Isabella telte medfølger barduner til montering på hjørnestolper og midterkryds. Bardunerne skal monteres på selve hjørnestolperne og midterstolpen. (Se ill. 3).

De må under ingen omstændigheder sættes på piggen i taget eller i udhængsrørens kroge.

Hverken pigge eller kroge er beregnet til det og vil hurtigt blive ødelagt. De fleste Isabella modeller er desuden forsynet med ekstra stormopspændingskanter, hvortil man som ekstraudstyr kan købe IsaLink stormopspændingsbeslag med gummistrop. Disse skal altid anvendes, hvis man ønsker at stormsikre sit fortelt.

Anvender man ikke IsaLink med gummistrop, risikerer man, at stormopspændingskanterne springer. N.B. Det er en misforståelse at spænde tellet ud ved hjælp af stormopspændingskanterne. Det ødelægger tellets facon, idet vinduer og syninger bliver trukket skæve. Snorene skal hænge løst ned, så de kun strammes ud, når vinden blæser ind på teltdugen.

Ønsker man at stormsikre yderligere, vil der altid være mulighed for at montere ekstra-overligger.

Disse monteres let med Isabellas patenterede skruefri vognbeslag – FixOn II.

Såvel ekstraoverligger som FixOn II-beslag fås som ekstraudstyr hos Deres Isabella forhandler. (Se ill. 5).

30 cm plastpløkke og stormopspændingsbeslaget IsaLink (se ill. 3), som passer på alle Isabella standardfortelte fra 1978 og fremefter, fås selvfølgelig som ekstraudstyr hos Deres Isabella forhandler, hvor De også kan finde andre former for stormsikringsartikler.

Typhoon stormopspænding er monteret på mange af Isabellas fortelte, og Typhoon stormbardunet (i nogle tilfælde medleveret standard) kan monteres ved hjælp af den anbefalede stormknode (ill. 6).

Til alle fortelte medleveres det antal stænger og pløkke, som er nødvendige til almindelig camping, men forlades tellet i længere tid anbefales det at montere ekstra tagstænger og større pløkke, som er dimensioneret i forhold til underlaget samt ekstra barduner.

Hvis De camperer i områder med meget hård eller sandet jord, kan det være nødvendigt at anvende specielle pløkke. Spørg hos Deres forhandler.

SNESIKRING AF VINTERTELTE

Vintercamping bliver mere og mere udbredt, og Isabella har et stort udvalg af vinter-/universaltelte i programmet. Fælles for dem er, at de er forsynet med en ekstra kraftig tagkonstruktion. De store universaltelte skal forsynes med en vintersikring for at kunne betegnes om helårstelte, og dermed være dækket af en eventuel forsikring. Vintersikringssæt fås som ekstraudstyr.

OPBEVARING

Når forteltet ikke bruges, skal det opbevares rigtigt. I modsat fald kan eksempelvis en vinteropbevaring skade tellet og stængerne en del. Først og fremmest SKAL det være helt tørt og rengjort. Hvis tellet ved nedtagning er vådt, skal det senest 2-3 dage efter hænges op til tørring. Når det pakkes i tasken, skal det være 100% tørt, så undgår man, at det bliver jordslået. For at undgå rust på stellet er det også vigtigt, at det er helt tørt, inden det pakkes væk.

Selve opbevaringen skal ske på et tørt, ventileret og ikke for varmt sted. I øvrigt er det en fordel at få eventuelle skader på tellet repareret inden det gemmes væk for vinteren, og glem ikke vedligeholdelse af stålstellet. Vil De være ekstra god ved Deres fortelt, så afmontér alle IsaFlex-gummistroppe inden vinteropbevaringen, og kassér mørnede og skadede gummistroppe med det samme. Det er for sent, når de først er sprunget.

Vi håber De må få mange gode oplevelser med Isabella.

RET TIL ÆNDRINGER FORBEHOLDES.



PROBLEM	MULIG ÅRSAG	HVAD KAN GØRES? HVAD KUNNE VÆRE GJORT?
Utæthed	Dårlig vedligeholdelse; Aflejring af salt fra havgus på telt- dug, luftforurening, pollen, insekt- ekskrementer m.m. Drivgas fra spraydåser (myggespray, deodorant o.lign.)	Forteltet skylles med rigeligt, rent vand og det løsnede snavs børstes af med en blød børste. Rengøringsmidler er bandlyst – undtagen Alpha 123! Sprøjtes med AquaTex specialimpræg- nering, når forteltet er helt tørt.
Kondensvand	Manglende udluftning	Lad udluftningen stå åben.
	Fugt fra jorden	Læg et plastunderlag under fortelt- tæppet.
Lynlås kan ikke lukkes	Forteltet er opstillet forkert	Flyt hjørnepløkker.
	Lynlåsen er slidt el. skyder (glider) er slidt	Henvend Dem til Deres Isabella forhan- dler.
Stellet rustet	Dårlig vedligeholdelse	Stellet rengøres for jord og snavs, og overfladebehandles evt. med autovoks.
	Har været vådt ved nedpakning	Stellet skal være 100% tørt ved ned- pakning.
Fortelt jordslået	Har været pakket vådt sammen og ikke hængt til tørre inden 2-3 dage	Forteltet skal være 100% tørt og ren- gjort ved nedpakning. Teltdugen opbevares ventileret, tørt og ikke for varmt.
Rynker i forkant mellem tag og udhæng	Dårlig opstramning	Fronten nedrulles om muligt, hvorefter stænger opstrammes (evt. ved hjælp af Hercules Twin). Kontrollér, at sammen- syninger føles stramme (som en bardun, der er opstrammet mellem to punkter).

PROBLEM	MULIG ÅRSAG	HVAD KAN GØRES? HVAD KUNNE VÆRE GJORT?
Sider står meget løse	Telt dårligt opstrammet eller telt for stort til vogn eller fejllacering af vogn (for lavt)	Opstramning af alle stænger. Pløkning, så underkant er stram. Kontrollér, at afstand fra bunden af teltet til jorden er min. 12 cm, således at træk i gummistropper udnyttes.
Gavle kan ikke nå jorden	Vognen er hævet for meget eller	Placér vognen på plan grund uden at hæve vognen unødvendigt.
	telt er for lille til vogn	Kontrollér A-mål på vogn og telt.
Hvide formationer på PVC-materialet	Vejret/luftpåvirkning	Kontrollér ved selvsyn i lup. Det er højst sandsynligt insektæg, der lettest fjernes med AquaTex imprægnering, en lille neglebørste og en blød klud.
Små huller i taget	Slidtage eller	Kan evt. være små slidmærker i udven- dig belægning. Dette betyder normalt ikke noget for tæthed og holdbarhed. Kan evt. udbedres med reparationspasta til udvendig påføring.
	mug/jordslået	Ved mug og jordslåethed anbefales indvendig afskytning med vand samt omimprægnering med AquaTex, eller i værste fald udskiftning af taget.
Vinduer krøller, er matte	Sjusket sammenlægning eller dårlig opstramning	Ved god opstramning samt varmepåvirkning glattes vinduer bedst. Dybereliggende "flimmer" kan ikke undgås med nuværende fremstillingste- knologi.

Hvis ikke ovennævnte problemløsninger hjælper Dem til en perfekt opstilling,
bør De kontakte en autoriseret Isabella-forhandler for yderligere rådgivning.

Vi vill önska dig lycka till med ditt nya förtält. Vi är glada över att du har valt ett förtält från Isabella, och vi hoppas att du skall få mycket glädje och nytta av ditt Isabella-förtält i många år framöver.

Med ditt förtält följer en Isabella-mapp som, förutom denna lilla handbok, bland annat innehåller en monteringsanvisning. Utöka din garanti genom att gå in på Isabella.net och registrera ditt förtält. I denna handbok ger vi dig tips om uppsättning och mycket annat, och vi beskriver hur du bäst tar hand om ditt förtält. Läs därför denna handbok innan du sätter upp ditt förtält för första gången.

Du kan registrera ditt förtält på vår hemsida, www.isabella.net. (Alla uppgifter hittar du i botten på tältsäcken.) En registrering är dock inte nödvändig för att reklamationsrätten skall gälla – för detta räcker det med inköpskvittot. Du kan också registrera ditt förtält på vår hemsida, www.isabella.net.

VIKTIGT! · Kontrollera att inga vassa kanter eller ojämnheter finns på tältskenan · Rengör tältet ofta med rinnande vatten · Använd aldrig rengöringsmedel – förutom IsaClean

SÅ HÄR FÅR DU YTTRELLIGARE ETT PAR ÅR MED DITT ISABELLA-TÄLT

Det lönar sig verkligen att vara rädd om såväl stativ som tältduk. Olika tester, gjorda av Isabella, har nämligen visat att rätt skötsel kan förlänga tältets livslängd med flera år. Det enda som behövs är ett par minuters läsning nu, plus ett par timmars omvårdnad varje år.

Långtidscampare som ligger vid havet, eller i skogsområden, kan råka ut för att deras tält blir otäta. Vid havet beror detta på att havsvindarna avsätter salt på tältduken, och saltet binder luftens fuktighet som långsamt bryter ned tältets impregnering. I skogsområden kan luftföroreningar, pollen och spillning från till exempel bladlöss göra att impregneringen försämras. Det är därför viktigt att du håller tältet rent genom att spola av det ibland.

Även drivgas från sprayflaskor kan förorsaka skador på tältet. Detta gäller alla sorters spray – hårspray, solspray, deodorant samt, inte minst, myggspray som många provar att spruta runt ingångarna! Användning av fel sorts rengöringsmedel ger också onödigt slitage på tältet.

Fönsterfolien är en högteknologisk produkt. Samtidig som den skall vara smidig vid sammanpackningen, skall den också vara transparent – så klar som möjligt. Isabella använder därför fönsterfolie av bästa kvalitet från världens ledande producent. Då det idag, på grund av miljöhänsyn, är förbudet att använda mjukgörare som innehåller barium/kadmium, används i stället barium/zink som mjukgörare. Dessvärre ändrar detta foliens egenskaper, så att du kan uppleva att det förekommer ett "flimmer" i fönstren och att vecken från hoppackningen framträder tydligare än tidigare. Där folien är dubbelvikt kan det till och med se ut som om det är "sår" i folien. Detta är för närvarande omöjligt att undvika, men vi på Isabella garanterar att vi alltid använder en folie som lever upp till högt ställda krav på hållbarhet, bland annat när det gäller skydd mot UV-strålning, och att folien klarar temperaturer från -25 till +60 grader. I förebyggande syfte kan du hänga upp fönsterstyckena på ett varmt ställe (t ex över ett element, men utan att vidröra detta) ett par dagar innan du första gången sätter upp ditt förtält efter att det varit nedpackat en längre tid. Vi rekommenderar att Ni sparar skummaterialet och använder det vid nedpackning av Ert tält, för att skydda fönstren. Isabellas upphängning av gardiner består av två delar. När du tar ned ditt förtält skall "lådan" sitta kvar på tältet, medan "hjulet" ska sitta kvar på gardinen.

Alla öljetter i taket är från fabrik försedda med DropStop tättningsringar, som gör att vatten inte kan tränga in vid piggarna. DropStop finns även som reservdel hos din Isabella-återförsäljare.

SÅ SPÄNNER DU UPP DITT FÖRTÄLT

En korrekt uppspanning av förtältet har stor betydelse för livslängden. Detta beror på, att ett dåligt uppspant tält nöter mot stativet när vinden tar i. Dessutom kommer smutsen att samlas i de veck som bildas på ett dåligt uppspant tält, och smutsen kan innehålla ämnen som bryter ned väv och plast.

Att spanna upp tältet ordentligt behöver inte ta längre tid än vad det gör att spanna upp det slarvigt, bara du har övat några gånger först. Viktigast av allt är att du vet i vilken ordning tältet ska spännas, och att du arbetar systematiskt. Dessutom kan det vara en bra idé att köpa en tältuppspannare, som Isabella Hercules Twin. Den gör arbetet mycket enklare! (Se ill. 4.)

Det är också viktigt att du kommer ihåg att hur ordentlig du än har varit vid uppspanningen, så håller tältet sig inte spänt för evigt. Du måste därför, några gånger under säsongen, kontrollera och justera spänningen så att den är den rätta.

För att du ska få rätt spänning på tältet rekommenderar vi på Isabella att själva tältduken slutar omkring en decimeter ovanför marken eller underlaget.

Var uppmärksam på att låsdelarna **ej** ligger mot tältduken. Skavproblem kan då uppstå.

Ägna också lite tid åt att läsa igenom bruksanvisningen som följer med ditt förtält, och ta gärna också en titt på de instruktionsfilmer som du kan se hos din återförsäljare eller på www.isabella.net.

TÄLTDUK OCH FÖNSTER

Först och främst: Rengöringsmedel av alla slag –

• använd endast rengöringsmedel IsaClean från Isabella.

Använd vattenslang och skölj av tältet. Borsta sedan med en mjuk borste, samtidigt som du låter vattnet rinna och skölja bort smutsen efterhand som den lossnar. Utsatta ställen, som till exempel tak, gavlar och hörn, tvättas extra noga. Avsluta med att spola rikligt med vatten. Denna rengöring bör göras ett par gånger varje säsong. Fönstren rengörs på samma sätt. Fönsterputsmedel eller sprit får absolut inte användas!

Gardinerna i Isabella förtält tvättas i 30 grader. Gardinlips-hjulet skall tas bort vid tvätt av gardinerna.

IMPREGNERING

Om ditt förtält blir skadat, så att ett läckage uppstår, så finns alla möjligheter att åtgärda detta. I de flesta fall kan skadan avhjälpas med AquaTex impregneringsspray – en kolsyre driven spray, som är helt ofarlig. Det är viktigt att tältet vid behandlingen är väl rengjort och helt torrt. Impregneringen fäster inte på ett smutsigt tält. I regel sprayar man på tältets insida, då denna brukar vara mindre smutsad än utsidan. På tältväv som är lite mer sliten, och därför något spröd, kan det vara nödvändigt att spraya även på utsidan.

Kom ihåg: Rengöringen är mycket viktig, speciellt om du röker i ditt förtält. Rökning ger en beläggning på duken, som gör den omöjlig att impregnera. Nikotin bryter dessutom ned impregneringen.

En flaska AquaTex impregneringsspray är mycket bra att ha till hands när man är ute och campar:

- Till tröga blixtlås: Spraya lite och de glider lätt igen.
- Tältskenan: Tältduken blir lättare att dra om du sprayar lite.
- Oljefläckar: Kan försvinna med lite spray.

Vi på Isabella rekommenderar att du efterimpregnerar ditt förtält vartannat år, speciellt om det står uppsatt hela säsongen. Använd AquaTex och spruta på tältet med en trädgårdsspruta så att medlet fördelas jämnt på tältet. Även om plasten inte kan skadas av impregneringsmedlet, bör du torka fönstren rena innan medlet hunnit torka.

VENTILATION

Ordentlig ventilation förhindrar att kondens bildas i förtältet. Ha alltid ventilationsluckan öppen – särskilt om tältet lämnas för en längre tid. Lätta gärna lite på understycket så att det blir luftcirkulation även denna väg.

På ställen med hög luftfuktighet, eller vid mycket skiftande temperaturer, kan kondens bildas i förtältet, speciellt i syntetiska tält, och denna visar sig i taket. Följ ventilationsråden och lägg dessutom gärna plast under tältmattan. Detta stänger ute markfukten, och minskar på så sätt risken för kondens.

SMÅ OTÄTHETER I SÖMMAR

Den sytråd vi använder i våra förtält är impregnerad. Därför utvidgar sytråden sig efter 2–3 användningar i regn, varefter stygnhålerna blir täta. Till dess kan du uppleva små otätheter i sömmarna.

VERANDA

De flesta Isabella-förtält har avtagbara och nedfällbara front- och gavelstycken. Om ditt tält har sådana, kan du med hjälp av den medföljande verandastången öppna front eller gavel till hälften. I gavelstycket, närmast husvagnen finns en påsydd hållare för verandastången, i övrigt fästes den i stativet. Dra för gardinerna innan delarna viks ned, så att fönsterfolien inte kommer i kontakt med verandastången. (Du kan också köpa ett överdrag till stången.) Extra verandastänger köper du som tillbehör hos din Isabella återförsäljare. (Se ill. 1).

BLIXTLÅS

Är det svårt att stänga blixtlåsen på förtältet, kan detta bero på att tältet inte är korrekt uppspänt. Bruka aldrig våld. Prova istället att flytta markpinnarna i hörnen – det hjälper i de flesta fall. Blixtlåsen får inte smörjas med olja! Vi rekommenderar istället AquaTex impregneringsspray, eller att du gnider blixtlåsen med en bit paraffin.

STÅLSTATIV

Standardstativen är tillverkade av varmförzinkade stålrör, med kopplingar och hörn av nylonmaterial. En fjäder håller ihop stativrören i utfällt läge. Var försiktig vid upp- och nedmontering, så att

inte denna fjäder sträcks för mycket! Tvätta och vaxa stativrören lika noga som du sköter din bil. Detta skyddar stativrören och håller dem i fint skick.

CARBONX GLASFIBERSTATIV

De flesta modeller från Isabella kan utrustas med CarbonX glasfiberstativ. Detta stativ kräver inget speciellt underhåll, förutom ordinarie tvätt och rengöring. Om spännbeslagen vill glida kan du rengöra dessa invändigt med T-sprit.

UNDERSTYCKE / HJULHUSKAPPA

Samtliga Isabella-förtält levereras med understycke och hjulhuskappa, så att inget drag uppstår i tältet. I understycket och i gräskanten finns stansade hål för markpinnarna.

JUSTERINGSSTROPP

För att ditt förtält skall stå riktigt stadigt har Isabella tagit fram en justeringsstropp som fästs på en pigg under hörnbenets fot. Denna justeringsstropp finns på alla Isabella förtält, och gör det lättare att spänna upp tältet korrekt. (Se ill. 2).

STORMSÄKRING

Ett Isabella-förtält skadas mycket sällan av storm, under förutsättning att det är korrekt uppspänt och att alla markpinnar används.

Alla förtält från Isabella levereras med stormlinor, som sätts fast på hörnbenen och i mittkrysset. Linorna skall alltid fästas i själva stativröret. (Se ill. 3.)

Linorna får under inga omständigheter fästas i takpiggen eller i utliggarens krok!

Varken piggar eller krokar är dimensionerade för denna belastning, och kommer snart att gå sönder. De flesta Isabella-förtält är dessutom försedda med extra stormspännrekanter avsedda för IsaLink med gummistropp (tillbehör). Du måste alltid använda IsaLink om du vill stormsäkra ditt förtält. Om du använder spännlinor utan gummistropp finns det risk att stormspännrekanterna spricker.

Observera: Det är en allmän missuppfattning att man kan spänna ut tältet med hjälp av stormspännrekanterna. Gör du så kommer fönster och sömmar att dras sneda, och tältet står inte längre snyggt. Spännlinorna ska normalt hänga lösa, och bara användas när vinden ligger på mot tältduken.

Om du vill stormsäkra ditt förtält ytterligare, kan du använda extra överliggare. Dessa monteras med Isabellas patenterade, skruvfria FixOn-beslag. Både överliggare och FixOn-beslag finns att köpa hos din Isabella-återförsäljare. (Se ill. 5).

30 cm långa plastpinnar samt IsaLink, som passar alla Isabella standardförtält från 1978 och framåt, finns givetvis som tillbehör hos din Isabella-återförsäljare. (Se ill. 3). Där kan du även hitta andra typer av stormsäkringar.

Till alla förtält medföljer det antal stänger och pinnar som behövs vid normal camping. Om du lämnar ditt förtält utan tillsyn under en längre tid, rekommenderar vi dock att du använder extra överliggare samt pinnar som är avsedda för det underlag som tältet står på. Säkra också med extra stormlinor!

Typhoon stormuppspänning är monterat på många av Isabellas förtält, och typhoon stormlinor (är standard i vissa förtältsmodeller) kan monteras med hjälp av rekommenderad stormknut. (Se ill. 6). När Ni campar i områden med mycket hård- eller sandig jord, kan det vara nödvändigt att använda speciella markpinnar. Fråga Din återförsäljare.

VINTERSÄKRING

Att campa på vintern har blivit allt mer populärt, och i Isabellas sortiment finns ett stort utbud av vinter- och universaltält. Kännetecknande för dessa tält är bland annat den extra kraftiga takkonstruktionen. De stora universaltälten måste kompletteras med en vintersäkring (tillbehör) om de skall användas året runt.

VINTERFÖRVARING

Inför vinterförvaringen måste tältet vara helt torrt. Om tältet är fuktigt när du packar ihop det kan mögelskador uppstå. Torka alltså tältet ordentligt och förvara det sedan på en torr, välventilerad och inte alltför varm plats. För att undvika rostskador, bör du även kontrollera att stativet är helt torrt. Plocka bort IsaFlex-stropparna och byt ut de som blivit sköra. Har det uppstått skador på förtältet under säsongen, så låt reparera dessa innan du lägger undan tältet för vintern.

Vi önskar dig många fina upplevelser med ISABELLA!

RÄTT TILL ÄNDRINGAR FÖRBEHÅLLES.



PROBLEM	MÖJLIG ORSAK	VAD KAN GÖRAS? VAD KUNDE MAN GJORT?
Otätthet	Dåligt underhållet; Avlagring av salt från havet på tältduken, luftföroreningar, pollen, insekts-spill m.m. Drivgas från sprayflaskor (myggspray, deodorant m.m.)	Förtältet spolås rikligt med rent vatten och borstas rent med mjuk borste. Rengöringsmedel är bannlyst – förutom Alpha 123! Sprayas med AquaTex impregnering, när tältet är helt torrt. OBS! på insidan.
Kondensvatten	Dålig ventilation	Låt ventilationsluckan vara öppen.
	Fukt från marken	Lägg en plastpresenning under mattan.
Dragkedjan vill ej tillslutas	Förtältet är fel uppsatt	Flytta hörnmarkpinnarna.
	Dragkedjan sliten eller dragskon är sliten	Vänd Er till närmaste Isabella återförsäljare.
Stativen rostar	Dåligt underhållet	Stativet rengörs från jord och smuts och behandlas eventuellt med bilvax.
	Har packats ner blött	Stativet skall vara 100% torrt innan nerpackning.
Förtältet har mögelfläckar	Har packats ner blött, bör torkas 2-3 dagar	Förtältet skall vara 100% torrt och rengjort innan nerpackning. Tältduken bör förvaras torrt men inte för varmt.
Rynkor i framkant	Dålig uppspanning	Fronten rullas ner till hälften, varefter stängerna sträcks (ev. med hjälp av Hercules Twin).

PROBLEM	MÖJLIG ORSAK	VAD KAN GÖRAS? VAD KUNDE MAN GJORT?
Slappt hängande gavlar	Tältet dåligt uppspant eller tältet för stort till vagnen eller felplacering av vagnen	Spänn alla stänger. Sätt alla markpinnar. Kontrollera att avståndet från nederkant av tältet till marken är min. 12 cm så att spänsten i gummibanden utnyttjas.
Gavlarna når ej marken	Vagnen är upphöjd för mycket eller	Placera vagnen på plant underlag utan att höja upp den marken för mycket.
	tältet för litet till vagnen	Kontrollera A-mått på vagn och tält.
Vita fläckar på PVC-materialet	Vädret / luftföroreningar	Kontrollera själv med förstöringsglas. Det är med säkerhet insektsägg, och tas lättast bort med AquaTex impreg. och en nagelborste samt mjuk trasa.
Små hål i taket	Slitage eller	Kan eventuellt vara små skrapmärken på den utvändiga beläggningen. Detta betyder normalt inte något för täthet eller hållbarheten. Kan ev. repareras med reparationspasta för utvändigt bruk.
	mögelfläckar	Vid mögelfläckar på insidan taket, tvätta med vatten och impregnera om med AquaTex eller i svårare fall utbyte av taket.
Veck i fönster eller matthet	Dåligt sammanlagt eller dålig uppspanning	Vid god uppsättning samt värme slätar ofta fönstret ut sig. Djupliggande matthet kan inte undgås med nuvarande framställningsteknologi.

Om inte ovanstående problemlösningar hjälper Dig till perfekt uppsättning bör Ni kontakta Er Isabella återförsäljare för ytterligare rådgivning.

Vi vil gjerne benytte anledningen til å ønske Dem til lykke med Deres nye Isabella fortelt. Vi er stolte over at De har valgt et Isabella produkt, og vil gjøre vårt beste for at De skal få mange gode og problemfrie år med Isabella. For å være sikre på at De får så mye glede av Deres nye fortelt som mulig, har vi laget en komplett Isabella mappe. Mappen inneholder, foruten denne bruksanvisningen, bl.a. en oppstillingsveiledning. Utvid garantien din ved å gå til [Isabella.net](http://www.isabella.net) og registrer forteltet ditt. De vil i bruksanvisningen finne alt om vedlikehold og korrekt bruk av Deres fortelt. Vi anbefaler at De leser anvisningen grundig før De setter opp teltet første gang, da den inneholder mange gode tips bl.a. om oppsettingen. De fyller ut servicebeviset på vår hjemmeside www.isabella.net, hvis De vil være sikker på registrering i vår database. Imidlertid er kjøpskvitteringen til en hver tid den gjeldende ved evt. reklamasjon (se avsnittet om rengjøring). Opplysninger om A-size og C.nr. fins alltid i bunnen av teltsekken.

! VIGTIGT! · Kontroller skinnene på vognen m.h.t. skader og ujevnheter
● Rengjør teltet ofte med rennende vann. Bruk aldri rengjøringsmidler.

SLIK FÅR MAN ET FORTELT TIL Å HOLDE ET PAR ÅR LENGER

Det eneste man skal ofre er noen minutters lesning nå, og et par timers vedlikehold om året. Det lønner seg å være varsom mot såvel stangsett som teltduk. Forskjellige undersøkelser og tester foretatt av Isabella-fabrikken, har tydelig vist at med riktig vedlikehold kan man forlenge forteltets levetid med flere år.

Campister som ligger i langtidscamping ved havet eller i skogområder, er mest utsatt for problemer. Disse består oftest i utettheter, som i mange tilfeller skyldes feilaktig eller dårlig vedlikehold. Fra havet kommer saltholdige vinder, som avleirer salt på teltduken. Saltet binder luftens fuktighet og denne prosessen nedbryter sakte men sikkert teltets impregnering.

Luftforurensning, pollen og ekskrementer fra bladlus og fugler kan også, hvis det får lov til å sette seg på teltduken, bryte ned impregneringen.

Det er derfor meget viktig at man sørger for å holde forteltet rent ved å vaske det ofte. Les mer om riktig rengjøring i neste avsnitt.

Husk også at den drivgassen (aerosol) som kommer fra sprayflasker, er like skadelig for et fortelts impregnering som den er for ozonlaget. Begge deler nedbrytes med tiden.

Tenk Dem derfor om en ekstra gang når De kjøper/bruker hårspray, deodorantspray, antimyggsspray m.m. Særlig det siste har nok mange sprayet rundt inngangen.

Vindusfolie er et høyteknologisk produkt, som samtidig med å være smidig ved sammenlegging, også skal være transparent - så klart som mulig. Isabella benytter vindufolie av beste kvalitet fra verdens ledende produsent. P.g.a. miljøhensyn er det i dag forbudt å bruke det tungmetallholdige bløtgjøringsmiddel Barium/Cadmium. Som erstatning brukes Barium/Zink som forandrer vår folie struktur slik at det kan forekomme dyptliggende "flimmer" samt at sammenleggingsfolder kommer tydligere frem enn før. I disse folder vil det i enkelte av de doble sammenleggingsfolder lik-som bli et lite "sår" i folien. Dette er for tiden umulig å unngå, men Isabella garanterer til enhver tid at det benyttes en folie som lever opp til våre krav om holdbarhet generelt, bl.a. mot UV-bestråling og temperatur fra -25 til +60 grader. For å forebygge krøller m.m. kan man henge opp vindusstykk-

kene på et varmt sted (over radiatoren - uten berøring) et par dager før første oppstilling eller etter lengre oppbevaring i sammenpakket form. Vi anbefaler, at skum-pakkematerialet, som fulgte med teltet Deres, benyttes hver gang teltet legges sammen, da det bidrar til et godt vedlikehold av vinduene.

Isellas gardinhægtesystem består af to dele, som monteres på hhv. teltet og i gardinet. Ved nedtagning skal "kufferten" forblive på teltet og "hjulet" i gardinet.

Isellas gardinhektesystem består av to deler, som monteres på hhv. teltet og i gardinen. Ved nedtagning skal "kofferten" bli værende på teltet og "hjulet" i gardinen.

I alle kovseringene i taket er det fra fabrikken montert DropStop tetningsringer, som sikrer, at det ikke trenger inn vann ved piggene. Disse fås også som ekstrautstyr hos Deres Isabella forhandler.

KORREKT OPPSTRAMMING

Et korrekt oppstrammet fortelt holder vesentlig lenger enn et fortelt, der man ikke har ofret oppstillingen så mye oppmerksomhet.

Når oppstrammingen er så avgjørende henger det sammen med, at et dårlig oppstrammet fortelt langt raskere får slitasjeskader samtidig med at folder i teltduken og vinduene samler skitt, som er med på å bryte ned stoffet.

En korrekt oppstramning behøver ikke å ta lengre tid, når man først har forsøkt det et par ganger. Det er viktig, at man benytter den riktige oppstrammingsrekkefølge og at det gjøres systematisk. Det er for øvrig en fordel å gå til anskaffelse av en Hercules Twin teltoppstrammer – et hjelpeverktøy, som gjør oppgaven noe lettere. (Ill. 4).

Det er også viktig å huske, at en korrekt oppstramning ikke holder evig. Der er med jevne mellomrom behov for å justere oppstrammingen, slik at den hele tiden er optimal.

Det anbefales, at selve teltduken skal være omtrent 10 centimeter fra underlaget/bakken for å gi den mest optimale oppstramning av forteltet.

De skal sikre, at vingemutterne ved forbindelsesleddene ikke gnisser mot teltduken, da dette vil skade teltet.

Det er en god ide å investere litt tid på å følge oppstillingsveiledningen grundig - eventuelt supplert med en titt på Isellas videodemonstrasjon, som både kan ses hos Deres Isabella-forhandler og på www.isabella.net.

RENGJØRING AV TELTDUK OG VINDUER

! Allerførst: Rengjøringsmidler av enhver art er bannlyst –
● du må bare bruke rengjøringsmiddel fra Isabella - IsaClean

Altså ingen annen type såpe, men bruk derimot rikelig med rent vann og en bløt børste. Teltet spyles med vann, og deretter går man i gang med børsten, samtidig med at man lar vannet skylle vekk den skitten som er børstet løs. Skyll til slutt teltet grundig. Denne behandlingen bør foretas et par ganger i løpet av sesongen.

Den beskrevne behandling gjelder såvel teltduk som vinduer. Bruk ikke sprit eller vinduspussmidler til PVC-vinduer. Det tåler de ikke.

Videre anbefales det å børste teltet innvendig med jevne mellomrom for å fjerne jordstøv, som sammen med fukt kan medvirke til, at teltduken får jordslag.

Særlig utsatte steder som taket, endegavlene samt alle hjørner skal ha en ekstra grundig behandling. Det eneste rensmiddel vi kan anbefale, er IsaClean, som er testet og utprøvd med godt resultat. IsaClean benyttes til å rense hele tak og paneler, men kan ikke anvendes til delrens. Fås hos Deres Isabella-forhandler.

Gardinene i Isabellas fortelt vaskes ved 30 C. Gardinklips-«hjulet» bør fjernes før vask. Når gardinen vaskes og etterfølgende strykes, kommer impregneringen tilbake til overflaten.

IMPREGNERING

Skulle nå skaden være skjedd og teltet har blitt utett, er det ingen grunn til å fortvile. I de fleste tilfeller kan skaden utbedres ved hjelp av Isabellas impregneringsspray, som er en spray med kullsyre som drivmiddel og derfor ikke vil gjøre noen skade. Det er viktig at teltet er grundig rengjort og helt tørt innen impregneringen påbegynnes. Det hjelper nemlig ikke hvis man sprayer ny impregnering på gamle avleiringer.

Impregnering bør normalt foretas på innsiden av teltet, fordi stoffet der ikke er så skittent. Er stoffet utett trenger AquaTex spesialimpregnering igjennom og virker utenpå også. Ved svært uttørkede materialer er det etter innvendig impregnering risiko for skjolddannelse på yttersiden. I såfall er det nødvendig med impregnering også der. **Men husk!** Rengjøring av teltet er viktig innen impregnering, ikke minst innvendig og særlig hvis det røykes mye i forteltet. Da ser man ofte en del nikotin på innersiden av stoffet. Nikotin bryter ned impregnering og er umulig å impregnere utenpå.

Det er under alle omstendigheter en god ide alltid å ha med en AquaTex impregneringsspray på campingtur. Den kan avhjelpe mange av de problemer som kan oppstå underveis.

Er det f.eks. vanskelig å få trukket teltet i skinnen, tar man bare impregneringssprøyen, sprayer skinnen hele veien rundt og teltet glir lett på.

AquaTex impregnering er dessuten velegnet til smøring av glidelåser, samt til å fjerne oljeflekker e.l. med, og kan selvfølgelig brukes til impregnering av fottøy. Alt i alt en god investering til verktøykassen.

Det anbefales, å etterimpregnere forteltet sitt annethvert år, dersom teltet står ute hele sesongen. I tillegg skal De bruke en 5-liters dunk med AquaTex impregnering og en hagesprøyte til å fordele det jevnt på teltet. Selv om vinduene ikke tar skade av væsken, er det imidlertid best å tørke av dem, før væsken tørker ut.

UTLUFTNING / VENTILASJON

Utluftning av forteltet er mye viktigere enn de fleste antakelig er klar over. Det gjelder spesielt syntetiske telt og er særlig viktig på steder med høy luftfuktighet og svingende temperatur, da det her ofte er risiko for mye kondensvann. Kondensvann viser seg nesten alltid i taket, hvor det samler seg rundt stengene, og nettopp derfor blir det ofte forvekslet med utettheter. Kondensvannproblemer kan likevel avhjelpes en del hvis man alltid lar utluftningen stå åpen - ikke minst hvis man er vekk i lengre tid. Videre er det en fordel hvis undertykket tas litt til side, slik at man får luft inn i teltet også den veien. Kondensvannproblemer kan under ekstreme forhold ikke helt unngås, men kan likevel minskes, hvis man følger ventilasjonsrådene og i tillegg legger plast under forteltets gulvteppe. Det gjør at jordfuktigheten holdes ute fra forteltet.

SMÅLEKKASJER VED SØMMER

Sytråden vi bruker i våre fortelt, er impregnert. Derfor utvider sytråden seg etter to-tre gangers regnvær slik at sy-hullene tettes. Inntil det har skjedd, kan du oppleve smålekkasjer ved sømmer.

VERANDALØSNING

De fleste Isabella standardfortelt har avtagbare og nedfellbare side- og frontdeler. Såfremt dette er tilfellet, kan man ved hjelp av den medfølgende verandastangen legge så vel front som gavler halvt ned - den såkalte verandaløsningen.

Verandaløsningen i sidene gjøres ved hjelp av den lille trekantede flapp, som er påsydd sideduken helt inne ved vognen. Det er viktig å trekke for gardinene, så vindusfolien ikke kommer i berøring med verandastangen. En annen mulighet er å benytte et trekk over verandastangen (fås som ekstrautstyr). Ytterligere verandastenger fås også som ekstrautstyr. (Se ill. 1).

GLIDLÅSER

Hvis man får problem med glidelåsene, er det lurt å se etter om forteltet er riktig oppstilt. Bruk derfor aldri makt, hvis glidelåsen ikke vil lukkes. Er den stram, så prøv å flytte hjørnepluggene. Det hjelper som regel. **Smør aldri glidelåsene med olje, selv om det kan være fristende!** Skal glidelåsene smøres, anbefaler vi at man benytter AquaTex impregneringsspray eller gnir dem med et stykke stearin.

VEDLIKEHOLD AV STÅLSTANGSETT

Standardstangsettet i Isabellas fortelt er laget av varmforzinkede stålrør og er i dag med kunststoffhjørner. Stengene holdes i oppslått stand på plass av en "samleflær". Det er derfor viktig, at man ved oppsetting og nedtagning av stangsettet, samler/skiller stengene med en viss forsiktighet slik at fjærene ikke forstrekkes. Det kan på det varmeste anbefales at man passer stålstangsettet sitt på samme måte som man passer sin bil. Det vil si, at man selvfølgelig gjør det rent for jord og skitt, men også at man overflatebehandler det med f.eks. bilvoks. På den måten kan man forlenge levetiden på stålstangsettet betraktelig.

VEDLIKEHOLD AV CARBONX-GLASSFIBERSTANGSETT

CarbonX-glassfiberstangsett, som nå kan leveres til de fleste av Isabellas forteltmodeller, krever nesten intet vedlikehold, kun vanlig bortvasking av skitt. Hvis spennebeslagene skulle ha tendens til å gli, anbefaler vi rengjøring av beslagenes innside samt den regulerbare stangen med jodbensin.

UNDERSTYKKE / HJULAVDEKNING

Alle Isabella fortelt leveres med understykke och en hjulavdekning, slik at trekk forhindres helt. Understykke samt gresskant er forsynt med plugg hull som passer til de medfølgende trådplugg; men i visse tilfeller, især i hjørnene, passer hullene ikke alltid over hverandre. I såfall kan det bli nødvendig evt. å slå pluggene igjennom gresskanten. Man kan også plugge utenfor gresskanten, fordi trådpluggenes spesielt utformede kroker kan holde gresskanten nede uten å skade denne.

REGULERINGSSTROPP

Alle Isabella fortelt er utstyrt med reguleringsstropper i hjørnene samt piggduppsko på stengene. Dette sikrer en jevn oppstramming av forteltet, samt minsker risikoen for slitasje fra stengene, da teltstoffet vil gnisse mindre mot stengene. (Se ill. 2).

STORMSIKRING

Et Isabella fortelt skades meget sjelden i storm, hvis det er riktig oppspenning og alle pluggen er slått i. Til alle Isabella telt følger det med barduner til montering på hjørnestolper og midtkryss. Bardunene skal monteres på selve hjørnestolpene og midtstolpen. (Se ill. 3).

De må under ingen omstendigheter settes på piggen i taket eller uthengsrørenes kroker!

Hverken piggen eller kroker er beregnet til dette og vil fort bli ødelagt. De fleste Isabella modeller er dessuten forsynt med ekstra stormoppenningskanter, hvor man som ekstrautstyr kan kjøpe Isalink stormoppenningsbeslag med gummistropp.

Disse skal alltid anvendes hvis man ønsker å stormsikre sitt fortelt.

Anvender man ikke Isalink med gummistropp, risikerer man, at stormoppenningskantene rynker.

NB! Det er en misforståelse at man skal spenne teltet med hjelp av stormoppenningskantene. Det ødelegger fasongen på teltet, da vinduer og sømmer blir strekt skjeve. Snorene skal henge løst ned, så de kun kan strammes ut når vinden blåser inn mot teltduken.

Ønsker man å stormsikre ytterligere, vil det alltid være en mulighet for å montere ekstra overliggere i taket. Disse monteres lett med Isabellas patenterte skruefrie vognbeslag - FixOn II. (Se ill. 5).

Såvel ekstra overliggere som FixOn II beslag fåes som ekstrautstyr hos Deres Isabella forhandler. 30 cm plastpluggen og stormoppenningsbeslag Isalink som passer alle Isabella's standarfortelt fra 1978 og fremover fåes selvfølgelig som ekstrautstyr hos Deres Isabella forhandler. (Se ill. 3), der De også kan finne andre former for stormsikringsartikler.

Typhoon stormoppennings er montert på mange av Isabellas fortelt, og Typhoon stormbarduner (i noen tilfeller inngående i standardutstyret) kan monteres ved hjelp av den anbefalte stormknote (Ill. 6). Til alle fortelt medfølger det antall stenger og pluggen, som er nødvendige til alminnelig camping, men forlates teltet for lengre tid anbefales det å montere ekstra takstenger og større pluggen, som er dimensjonert i forhold til underlaget samt ekstra barduner.

Dersom De camper i områder med veldig hardt eller sandet jordsmonn, kan det være nødvendig å benytte spesielle pluggen. Spør hos Deres forhandler.

SNØSIKRING AV VINTERTELT

Vintercamping blir mer og mer vanlig, og Isabella har et stort utvalg av vinter-/universaltelt på programmet. Felles for disse er, at de er utstyrt med en ekstra kraftig takkonstruksjon. De store universalteltene skal utstyres med en vintersikring for å kunne betegnes om helårstelt, og dermed være dekket av en eventuell forsikring. Vintersikringssett fås som ekstrautstyr.

VINTEROPPBEVARING

Når forteltet ikke er i bruk, skal det oppbevares riktig. I motsatt fall kan f.eks. en vinteroppbevaring skade teltet og stengene en del. Først og fremst SKAL det være helt tørt og rengjort. Hvis teltet ved nedtagning er vått, skal det innen 2-3 dager henges opp til tork. Når det skal pakkes i vesken

skal det være 100% tørt, så unngår man jordslag. For å unngå rust på stengene, er det viktig at de er helt tørre før de legges vekk.

Selve oppbevaringen skal skje på et tørt, ventilert og ikke for varmt sted. Forøvrig er det en fordel å reparere eventuelle skader på teltet før det legges vekk for vinteren, og glem ikke vedlikehold av stangsettet.

Vil De være ekstra nøye med Deres fortelt, så avmontér alle IsaFlex-gummistropper før vinteroppbevaringen og kassér alle råtnede og skadde gummistropper med det samme, det er for sent når de først har røket.

Vi håper De får mange fine opplevelser med Isabella.

RETT TIL ENDRINGER FORBEHOLDES.



PROBLEM	MULIG ÅRSAK	HVA KAN GJØRES? HVA KUNNE VÆRT GJORT?
Utetthet	Dårlig vedlikehold; Avleiring av salt fra sjøen på teltduk, luftforurensing, pollen, insekt ekstrimenter m.m. Drivgass fra sprayboksen (myggspray, deodorant o.lign.)	Forteltet skylles grundig med rent vann og skitten børstes av med en myk børste. Rengjøringsmidler er bannlyst – unntak Alpha 123! Så sprayer tellet med AquaTex spesialimpregnering, når tellet er blitt helt tørt.
Kondensvann	Mangler utluftning	La utluftningen stå åpen.
	Fukt fra jorden	Legg et plastunderlag under forteltmatten.
Glidlås vil ikke lukkes	Forteltet er stilt opp feil	Flytt hjørnepluggen.
	Glidlåsen er slitt, eller glider er slitt	Henvend Dem til en Isabella forhandler.
Stenger rustet	Dårlig vedlikehold	Stengene rengjøres for jord og skitt. Overflatebehandles evt. med bilvoks.
	Har vært fuktig ved nedpakking	Stengene skal være 100% tørre ved nedpakking.
Jordslag på duken	Har vært pakket sammen vått, og ikke hengt opp til tork (i ca. 2-3 dager)	Forteltet skal være 100% tørt og rengjort ved nedpakking. Teltduken oppbevares ventilert tørt og ikke for varmt.
Rynker i forkant mellom tak og utheng	Dårlig oppstramming	Fronten nedrulles, og deretter strammes stengene (evt. med en Hercules Twin). Kontroller at sammenyngene føles stramme (som en bardun som er strammet opp mellom to punkter).

PROBLEM	MULIG ÅRSAK	HVA KAN GJØRES? HVA KUNNE VÆRT GJORT?
Vegger henger løst	Teltet er dårlig oppstrammet eller tellet er for stort til vognen eller feilplassering av vognen (for lavt)	Stramm opp alle stengene. Plugges slik at underkant er stram. Kontroller at avstanden til bunnen av tellet og ned til bakken er min. 12 cm, slik at strekken i gummistroppene blir utnyttet.
Gavlene når ikke ned til bakken	Vognen er heist for høyt eller	Sett vognen på et plant underlag uten å heve vognen unødvendig.
	tellet er for lite for vognen	Kontroller A-mål for vogn og telt.
Hvite prikker på PVC-matriale	Vær / luftpåvirkninger	Kontroller selv under lupe. Det er høyst sannsynligvis insektegg som lett fjernes med AquaTex impregnering og en liten neglbørste og en bløt klut.
Små hull i taket	Slitasje eller	Det kan evt. være små slitemerker i det utvendige belegget. Dette betyr normalt ikke noe for tettheten og holdbarheten. Det kan evt. repareres med reparasjons-pasta til utvendig påføring.
	Mugg / jordslag	Ved mugg og jordlag anbefales det innvendig skylling med vann og etterimpregnering med AquaTex, eller i værste fall skifte ut hele taket.
Vinduer krøller og er matte	Dårlig sammenpakking av telt eller dårlig oppstramming	Med riktig oppstramming og varme-påvirkning blir vinduer glattest. Dyptliggende "flimmer" kan ikke unngås med dagens framstillings-teknologi.

Hvis ikke overnevnte problemløsninger hjelper Dem til en perfekt oppstilling, bør De kontakte en autorisert Isabella forhandler for ytterligere råd.

Toutes nos félicitations pour votre choix d'auvent. Nous sommes heureux que vous ayez choisi un produit Isabella et ferons tout pour nous assurer qu'il vous servira au maximum. Nous avons constitué un dossier complet Isabella pour votre information, accompagné des instructions de montage. D'une garantie par Internet. Allez sur Isabella.net pour une extension de votre garantie et l'enregistrement de votre auvent.

Nous vous recommandons d'enregistrer votre store sur notre site www.isabella.net si vous voulez vous assurer de votre enregistrement dans notre base de données. La facture sera également acceptée pour toute réclamation.

Taille «A» et le nombre «C» sont indiqués sur l'étiquette au bas du sac de toile.

IMPORTANT! · Vérifiez si le rail auvent et le rail jupe de caisse de votre caravane ne présentent pas de bords rugueux · Nettoyez l'auvent régulièrement avec de l'eau pure et une brosse douce · N'utilisez jamais de détergent ou d'autre produit de nettoyage.

PRÉCAUTIONS

Évitez d'installer votre caravane trop près de la mer ou des bois, car cela pourrait causer des problèmes. La brise marine dépose du sel sur la toile et la liaison du sel et de l'humidité atmosphérique peut altérer l'imperméabilité sur une période étendue. La contamination par l'air pollué, le pollen ou les excréments d'insectes ou d'oiseaux peut également altérer l'imperméabilité si ce n'est pas nettoyé. C'est pourquoi il est très important de nettoyer l'auvent régulièrement. Vous trouverez plus de détails sur le nettoyage dans le paragraphe suivant. Faites attention en utilisant des aérosols, comme la laque pour les cheveux, lotion de bronzage, déodorant et anti-mouche/moustique. Le propulseur aérosol neutralisera la qualité d'imperméabilité de la toile.

Le film protecteur des baies est un produit d'une haute technicité qui doit être à la fois souple, facilement pliable et aussi transparent que possible.

Le film protecteur employé chez Isabella est de la meilleure qualité qui soit et il provient du fabricant leader au monde. Par suite des mesures de protection de l'environnement, l'utilisation des substances amollissantes Baryum/Cadmium contenant des métaux lourds a été interdite et elles sont actuellement remplacées par une substance Baryum/Zinc. Malheureusement, la structure du film étant ainsi modifiée, il peut y apparaître des "lueurs vacillantes" et les plis se voient plus facilement. Parfois les plis doubles peuvent présenter des petites "écorchures", ce que l'on ne peut éviter actuellement. Lors de chaque pliage, nous vous recommandons de réutiliser les feuilles en mousse de protection livrées avec l'auvent. Cela aidera à protéger les fenêtres.

Isabella garantit l'utilisation en tout temps d'un film protecteur qui répond à nos exigences de résistance, notamment aux rayons UV et aux températures de -25 à +60 C°.

Après une période prolongée de stockage à l'état plié et avant le montage, les parties comprenant des baies peuvent être suspendues près d'une source de chaleur (au-dessus du radiateur – sans y toucher) pendant quelques jours afin de prévenir les plis et autres.

Le système de rideaux Isabella consiste en deux parties qui sont montées respectivement sur l'auvent et sur le rideau. Lorsque vous démontez votre auvent, la «valise» doit rester sur l'auvent, tandis que la «roue» reste sur le rideau.

Les capuchons en gomme DropStop se fixent sur toutes les pointes des armatures de toit. Ils sont également disponibles en option.

LA TENSION CORRECTE

Un auvent correctement tendu durera beaucoup plus longtemps qu'un auvent qui a été monté sans beaucoup d'attentions.

Tendre l'auvent est très important, car un auvent mal tendu souffrira d'usure et parce que la saleté va se placer dans les plis de la toile et des fenêtres, ce qui contribuera à la décomposition du matériel.

Tendre correctement votre auvent ne prend pas plus de temps, une fois que vous avez un peu de pratique. Il est important de tendre les barres de votre auvent dans le bon ordre, comme détaillé, et c'est une bonne idée d'utiliser l'outil de tension Hercule Twin, qui facilite ce travail (ill. 4). Il est également important de se rappeler qu'un auvent correctement tendu ne le reste pas toujours, il devra être vérifié à intervalles réguliers pour s'assurer qu'il est tendu correctement.

Nous recommandons que la toile soit à +/- 10-12 centimètres du sol pour une tension maximale. C'est judicieux de lire soigneusement les instructions de votre auvent. Assurez-vous que les écrous papillons sur les connecteurs ne frottent pas contre le matériel, car ceci endommagera l'auvent.

Vous pouvez également jeter un coup d'oeil à la démonstration visuelle d'Isabella, disponible sur www.isabella.net.

NETTOYAGE DE LA TOILE ET DES FENÊTRES

Aucun détergent ou produit de nettoyage ne doit être utilisé
– utilisez exclusivement les détergents d'Isabella - IsaClean

Nettoyez avec beaucoup d'eau pure. Aspergez votre auvent avec de l'eau et détachez les saletés avec la brosse. Enlevez les saletés en aspergeant d'eau de façon régulière. L'idéal serait de faire ce nettoyage plusieurs fois dans l'année et le plus facile est de le faire lorsque l'auvent est monté. N'utilisez JAMAIS d'alcool ou de cires sur les fenêtres en PVC.

Balayer l'intérieur de votre auvent une fois par semaine pour enlever la poussière, qui peut attacher aux taches humides, et peuvent provoquer de la moisissure.

Les parties exposées comme le toit, les côtés et les coins nécessitent un nettoyage soigneux.

Le seul détergent que nous recommandons est IsaClean, qui a été testé avec un bon résultat. IsaClean est utilisé pour nettoyer le toit entièrement et les panneaux, mais ne peut être utilisé pour nettoyer les taches. Disponible chez votre concessionnaire Isabella.

Les rideaux des auvents Isabella doivent être lavés à 30°C. Le clip à rideau «roue» doit être retiré avant le lavage. Le rideau peut être lavé et ensuite repassé.

IMPERMÉABILISATION

Si la qualité d'imperméabilité de la toile a été altérée, les dommages peuvent généralement être rectifiés en utilisant "AquaTex" aérosol d'imprégnation. L'auvent devra être entièrement sec et très propre avant l'application. L'"AquaTex" n'agit pas sur les endroits sales, aussi la vaporisation

devra se faire du côté intérieur de la toile. S'il y a des fuites dans le matériau, l'"AquaTex" pénétrera et agira à l'extérieur également. Si le matériau est très sec, une petite décoloration pourrait se montrer côté extérieur. Pour rattraper la couleur, il suffira simplement de vaporiser à l'extérieur aussi. **N'oubliez pas** qu'il est très important de nettoyer l'auvent à l'intérieur et à l'extérieur **avant** l'imprégnation, puisque tout dépôt sur le matériau neutralisera les propriétés de l'"AquaTex". Par exemple, la nicotine de cigarette altère le matériau et l'imperméabilité. C'est judicieux d'avoir toujours une bombe d'"AquaTex" sous la main, car ce produit a de nombreux usages, à côté de celui de l'imprégnation de votre auvent. Si, par exemple, vous rencontrez des difficultés à faire glisser le jonc de votre auvent dans le rail de la caravane, vaporisez de l'"AquaTex" sur le rail et l'auvent glissera facilement. L'"AquaTex" peut également être utilisé pour les fermetures à glissière trop rigides, comme détachant ou même pour l'imprégnation de vos chaussures ou bottes. Nous vous recommandons de ré-imprégner votre auvent tous les deux ans, si l'auvent est monté toute la saison. Pour ce faire, vous avez besoin de 5 litres de liquide d'imprégnation et d'un pulvérisateur de jardin pour le disperser sur l'auvent. Même si les fenêtres ne sont pas endommagées par le liquide, il est préférable de les essuyer directement, avant que le liquide ne sèche.

AÉRATION

L'aération des auvents est très importante - en particulier pour les auvents synthétiques. Dans des conditions extrêmes, la condensation à l'intérieur de l'auvent ne peut être évitée complètement. La condensation se forme presque toujours sur les faîtières et par conséquent est souvent confondue avec des fuites. Laissez le volet d'aération ouvert si possible, surtout si l'auvent est monté pour un certain temps, car ceci diminuera les risques de condensation. Si possible, il est recommandé d'ouvrir légèrement la jupe pour que l'air circule encore mieux. Pour éviter que l'humidité du sol ne pénètre à l'intérieur de l'auvent, un plastique de protection pourra être placé sous votre tapis "Bolon", mais ceci fera mourir l'herbe et pourrait être contraire aux règlements de certains terrains de camping.

PETITES FUITES AU NIVEAU DES COUTURES

Le fil de couture que nous utilisons dans nos auvents est imprégné. C'est pourquoi le fil de couture se dilate suite à 2-3 averses après quoi les trous de couture deviennent étanches. Avant cela, il est possible que vous constatiez des petites fuites au niveau des coutures.

LES OUVERTURES VÉRANDA

La plupart des auvents Isabella ont des panneaux avant et de côtés amovibles et rabattables. Il est possible de rabattre la façade avant et les côtés à moitié en utilisant une barre véranda, qui peut être placée dans la petite pièce de tissu sur le côté latéral, du côté de la caravane. Il est important de fermer les rideaux, afin que la fenêtre en plastique ne soit pas en contact avec la barre véranda. Assurez-vous également que la pince ne frotte pas contre la toile de l'auvent, car cela pourrait l'endommager. Une pièce en coton peut également être utilisée pour la barre véranda (disponible en option, comme la barre véranda (voir ill. 1)

FERMETURES À GLISSIÈRES

Si vous rencontrez des problèmes pour faire glisser les curseurs des fermetures, assurez-vous que l'auvent soit monté et tendu correctement. Ne forcez jamais les fermetures. Au cas où les fermetures sembleraient un peu serrées, retirez les piquets en bas de la fermeture et remplacez-les au mieux. **Ne lubrifiez pas à l'huile!** Pour la facilité de l'emploi, il est recommandé de lubrifier les fermetures à glissières avec l'aérosol d'imprégnation "AquaTex" ou avec de la paraffine.

ARMATURE EN TUBE D'ACIER

L'armature standard d'un auvent Isabella est constituée de tubes en acier galvanisés à chaud avec coins et croix centrale en matériau plastique léger. Les tubes sont reliés par un ressort et il faut être extrêmement prudent au montage et au démontage de l'armature. En cas d'utilisation trop brusque, les ressorts pourraient être arrachés ou surtendus. Tous les efforts sont faits pour assurer une longévité maximale à votre armature acier. Toutefois, elle devra être entretenue de la même manière que la toile. C'est-à-dire, enlever les saletés et la terre et ne ranger les tubes que lorsqu'ils sont secs et propres. Il est également recommandé de traiter les tubes avec une cire (comme celle utilisée pour les voitures).

ARMATURE EN FIBRES DE VERRE

La plupart des auvents Isabella peuvent maintenant être livrés avec une armature en fibres de verre CarbonX, qui n'exige aucun entretien spécial à part le nettoyage en cas de saletés ou de terre. Si les raccords ont tendance à glisser, nous recommandons le nettoyage de l'intérieur des fixations et du tube ajustable avec de l'alcool.

JUPE / POCHETTES DE RANGEMENT / CACHE-ROUE

Tous les auvents Isabella sont livrés avec une jupe de caisse et un cache-roue, qui protègent des courants d'air. Un ensemble de pochettes de rangement peut être fourni en option. La jupe de caisse et la bavette sont fabriquées avec des œillets pour y mettre les sardines. Dans certains cas et particulièrement dans les coins, il n'est peut-être pas toujours possible de mettre les trous des œillets les uns sur les autres, il est donc nécessaire à ce moment d'enfoncer la sardine au travers de la bavette. Vous pouvez également enfoncer la sardine en dehors de la bavette, comme la forme spéciale de la tête de la sardine permet de maintenir facilement la bavette sans l'endommager.

ÉLINGUES DE RÉGLAGE

Tous les auvents Isabella sont livrés avec des élingues de réglage dans les coins et des sabots avec pointe sur les mâts, ce qui facilite une tension uniforme de l'auvent et diminue le risque d'usure en diminuant le frottement de la toile sur les mâts (voir ill. 2).

SÉCURITÉ TEMPÊTE

Avec une telle résistance de l'armature et de la toile, l'auvent Isabella tendu correctement s'abîme rarement pendant les tempêtes. Tous les auvents Isabella sont fournis avec haubanage à fixer sur les mâts de coin et de centre. Il

est important que l'haubanage soit fixé sur les mâts de coin et de centre et en aucun cas sur les pointes dans le toit et les crochets ou sur les tubes de pare-soleil ou visière. Ni les pointes, ni les crochets ne sont prévus pour cela et se détérioreraient rapidement.

De plus, la plupart des modèles Isabella possèdent des triangles tempête en PVC auxquels on peut clipser des tendeurs tempête Isalink (en option). Si les tendeurs tempête ne sont pas utilisés, mais que l'on y place une simple corde/tendeur, les triangles tempête risquent de se déchirer.

Les triangles tempête ne doivent pas être utilisés pour tendre l'auvent, l'auvent perdrait alors sa forme. Les tendeurs/cordes doivent être placés assez amplement, afin qu'ils ne soient complètement tendus que lorsque le vent souffle. Des barres de toit supplémentaires peuvent être utilisées pour sécuriser l'auvent. Elles peuvent être placées facilement à l'aide des FixOn II. Les barres de toit et FixOn II supplémentaires sont disponibles en option.

Les IsaLink p. haubanage tempête, qui s'adaptent sur tous les auvents Isabella avec triangles tempête depuis 1978, et les piquets plastique de 30 cm, sont disponibles en option chez votre concessionnaire Isabella (voir ill. 3), où vous trouverez également d'autres articles pour protéger votre auvent contre les dégâts de la tempête.

Les haubans tempête Typhoon sont fixés sur la plupart des auvents Isabella et les tendeurs tempête Typhoon (fournis de série avec certains modèles) y sont attachés en faisant un nœud comme indiqué sur l'hauban. (Ill. 6).

Tous les auvents sont livrés avec le nombre de barres et de piquets nécessaires au caravanning ordinaire. Mais si vous laissez votre auvent monté pendant une longue période, nous vous recommandons de placer des barres de toit supplémentaires, d'utiliser des piquets plus grands, et également des tendeurs supplémentaires.

Lorsque vous faites du caravanning dans certaines régions où le sol est très dur ou sableux, vous devez utiliser des piquets spéciaux. Demandez à votre concessionnaire.

SÉCURITÉ DES AUVENTS D'HIVER

Le caravanning en hiver est de plus en plus populaire, et Isabella a une large gamme de sas d'hiver et d'auvents partiels dans sa gamme. Une armature supplémentaire très solide est commune sur ces modèles.

Les grands auvents partiels doivent être dotés de la protection d'hiver pour être considérés comme auvents 4 saisons, et dès lors être couverts par une assurance. La protection d'hiver est disponible en option.

RANGEMENT DE VOTRE AUVENT

Afin d'éviter toute détérioration de la toile, éviter de la ranger humide. L'auvent doit absolument être sec et propre avant de le ranger. S'il est mouillé, il devra être étendu pour le séchage pas plus tard que 2-3 jours après le démontage, pour qu'il soit sec à 100% pour le rangement, ceci pour éviter les taches d'humidité sur l'auvent. Il est important également que l'armature soit complètement sèche avant le rangement.

L'auvent doit être rangé dans un endroit sec, aéré et chaud sans températures extrêmes.

Pour les réparations, veuillez noter que, bien qu'Isabella effectue des réparations tout au long de l'année, il est préférable de les faire pendant l'hiver.

C'est judicieux d'enlever les bracelets de caoutchouc IsaFlex.

Nous espérons que ces informations et ces conseils vous seront utiles et nous vous souhaitons de nombreuses vacances agréables avec votre auvent Isabella.

SOUS RÉSERVE DE MODIFICATIONS.



PROBLÈME	CAUSE POSSIBLE	CE QUI PEUT OU AURAIT PU ÊTRE FAIT
Fuites	Mauvais entretien; Dépot de sel marin sur la toile, contamination par air pollué, pollen, etc. Aérosols comme anti-mouche ou moustiques, déodorant...	Asperger l'auvent abondamment avec de l'eau claire et éliminer les saletés avec une brosse douce. Il ne faut pas utiliser de détergents ou produits de nettoyage – excepté l'Alpha 123! Après, lorsque l'auvent est sec, appliquer l'aérosol imprégnant AquaTex.
Condensation	Manque d'aération	Ouvrir toutes les aérations.
	Humidité provenant du sol	Poser un plastique sous le tapis de l'auvent.
La fermeture-éclair ne ferme pas	L'auvent n'a pas été posé correctement	Déplacer les piquets cornières.
	La glissière est usée ou le curseur est usé	Contactez votre distributeur Isabella.
Corrosion de l'armature	Mauvais entretien	Nettoyer l'armature pour éliminer saletés et terre et appliquer de la cire ou du lustrant à voitures sur l'armature.
	Rangée humide ou à l'humidité	L'armature doit être complètement séchée avant le rangement.
L'auvent présente des tâches de moisissure	Il était humide au moment du rangement et n'a pas été suspendu pour sécher en 2/3 jours	La toile doit être entièrement sèche avant de la ranger. Elle doit être rangée dans un endroit sec et ventilé et à température moyenne, ni trop chaud ni trop froid.
Fronces dans le bord frontal entre toit et pare-soleil	Mauvaise tension	Si possible, dérouler la façade et tendre les mâts (peut-être avec Hercules Twin). Vérifier la bonne tension des ourlets.

PROBLÈME	CAUSE POSSIBLE	CE QUI PEUT OU AURAIT PU ÊTRE FAIT
Les côtes sont très lâches	L'auvent est mal tendu ou l'auvent est trop grand ou la caravane est mal placée (trop bas)	Tendre toute l'armature. Fixer les piquets pour que le bas de la toile soit tendu. Vérifier si la distance entre le bas de la toile et le sol est au moins 12 cm, de manière à ce que le maintien des caoutchoucs fonctionne au mieux.
Les côtes n'arrivent pas jusqu'au sol	La caravane est positionnée trop haut, ou	Installer la caravane sur un terrain bien plat, pour ne pas la lever inutilement.
	l'auvent est trop petit pour la caravane	Comparer le périmètre sol à sol de la caravane et de l'auvent.
Tâches blanches sur le P.V.C.	Influence de l'air / intempéries	Vérifiez-le vous-même à la loupe. C'est probablement des oeufs d'insectes, qui s'enlèvent facilement avec de l'aérosol imprégnant AquaTex, une petite brosse à ongles et un chiffon doux.
Endroits clairs dans le toit	Usure, ou	Peut-être des petites marques d'usure dans protection extérieure de la toile. Normalement cela n'affecte pas la résistance ou la longévité du toit. Possibilité de réparer avec une pâte spéciale appliquée à l'extérieur.
	taches de moisissure, d'humidité	Pour ce genre de tâches nous recommandons d'asperger à l'intérieur avec de l'eau et de réimprégner avec AquaTex, ou dans les cas très graves de changer le toit.
Marques sur les fenêtrés, fenêtrés voilés	Mal plié, ou mal tendu	Une toile bien tendue et la chaleur aideront à diminuer ces marques. La technologie actuelle ne permet pas d'éviter des marques plus profondes.

ASSISTANCE COMPLÉMENTAIRE:

les conseils ci-dessus vous aideront à bien monter votre auvent.
Pour des conseils plus détaillés, veuillez contacter votre distributeur Isabella.